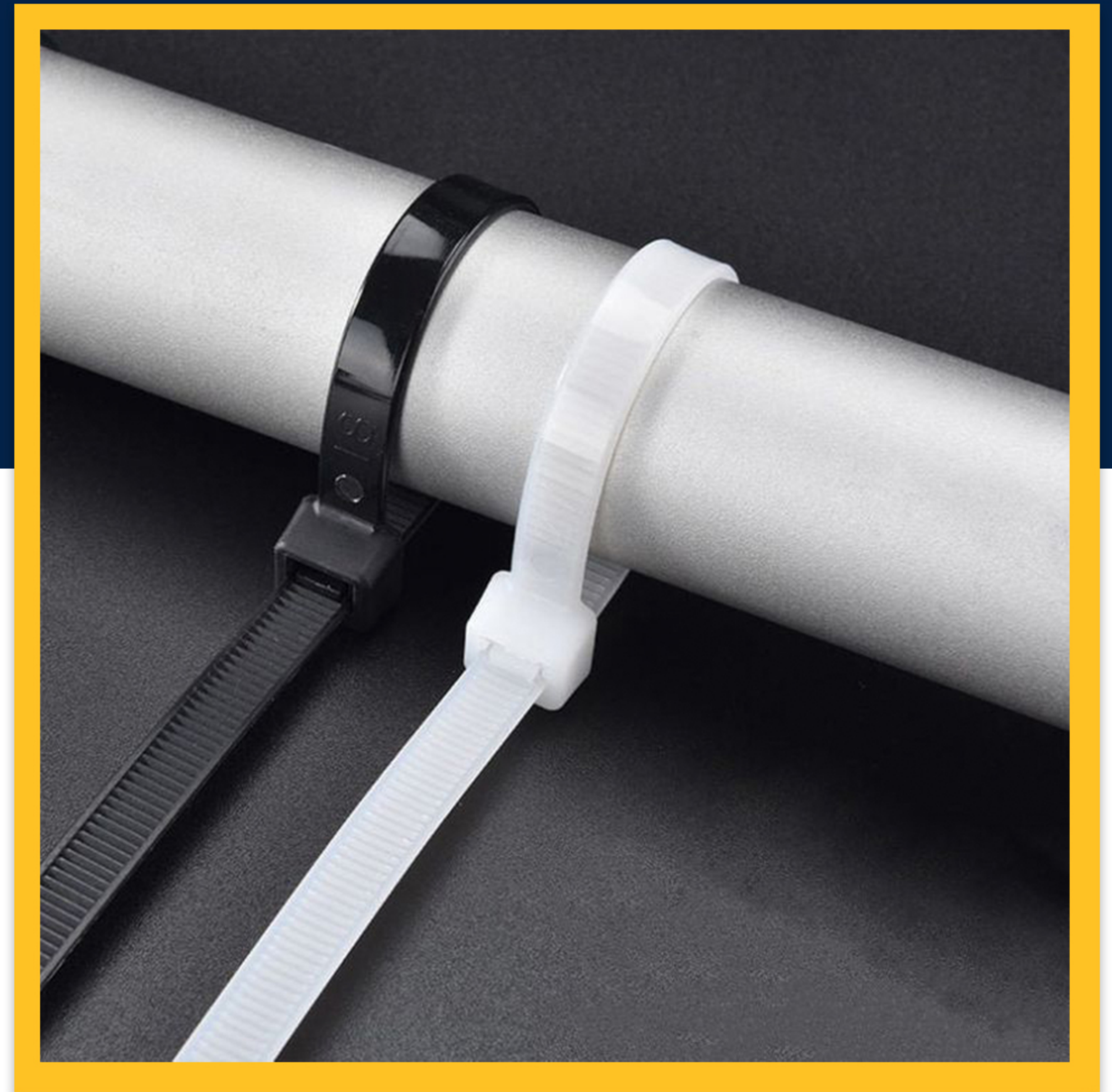


# ULTRA<sup>®</sup>



**BUILT FOR DURABILITY**  
**BUILT FOR RELIABILITY**  
**BUILT FOR WORK**

**ULTRA<sup>®</sup>**



# A Full Family Of Cable Ties For Easy, Reliable Fastening.

When you're working on complicated electrical equipment, cable management is critical. Keeping cables or wires under control is important not only for basic organization and ease-of-access for troubleshooting, but helps maintain functionality.

Ultra Cable Ties are used to secure wire bundles and harness components quickly. The flexible design allows the user to slip ties easily under and around cables and harnesses. These ties can be used with most standard tensioning/cutoff tools for fast production line fastening.





## CARE GUIDELINES FOR NYLON 6/6 CABLE TIES

Most of your standard cable ties are manufactured with a material known as Polyamide (Nylon 6/6). Because cable ties are used in extreme conditions such as heavy machinery or outdoor exposure in tough temperatures and extreme elements, they are required to stand up to their environments.

Nylon 66 is frequently used when high mechanical strength, rigidity, good stability under heat and/or chemical resistance are required. It possesses an outstanding balance of properties, combined strength, moderate stiffness, high service temperature and a high level of toughness. Particularly resistant to repeated impact, nylon has a low coefficient of friction and excellent abrasion resistance. Nylon is resistant to fuels,

lubricants and most chemicals, but is attacked by phenols, strong acids and oxidizing agents. Nylon is inherently susceptible to environmental conditions. Cable ties are moisturized to attain optimum performance levels. Nylon product should be stored in cool dry areas, out of direct sunlight.

If cable ties are stored and used properly, cable ties should perform indefinitely by following these guidelines:

- Store cable ties indoors being careful to avoid extreme temperatures and low humidity. (70 degrees F is ideal with a relative humidity approximately 50-60% ) Never store cable ties outdoors or in a cold vehicle.
- Always store cable ties in their original packaging.
- Keep cable tie bags sealed shut and inspect the bag for any breakage.
- Choose the correct size and tensile strength. The wrong tension will weaken the tie
- Follow a scheduled inventory rotation, using the oldest cable ties first



- It is disposable product and not be reused
- Keep away extremely cold and hot places
- Do not open until ready for use



Ultra Cable Ties are molded from 6/6 nylon and are available in a variety of sizes and styles, including weather resistant black for outdoor use.



# NYLON CABLE TIE

## FEATURES

- Operating temperature minimum -40°F to maximum 185°F
- UL flame rating 94V-2
- Available for indoor and outdoor installation.
- An extensive range of products to suit many applications.

## APPLICATIONS

- Safely and easily secures wire bundles and harness components

## STANDARD MATERIAL

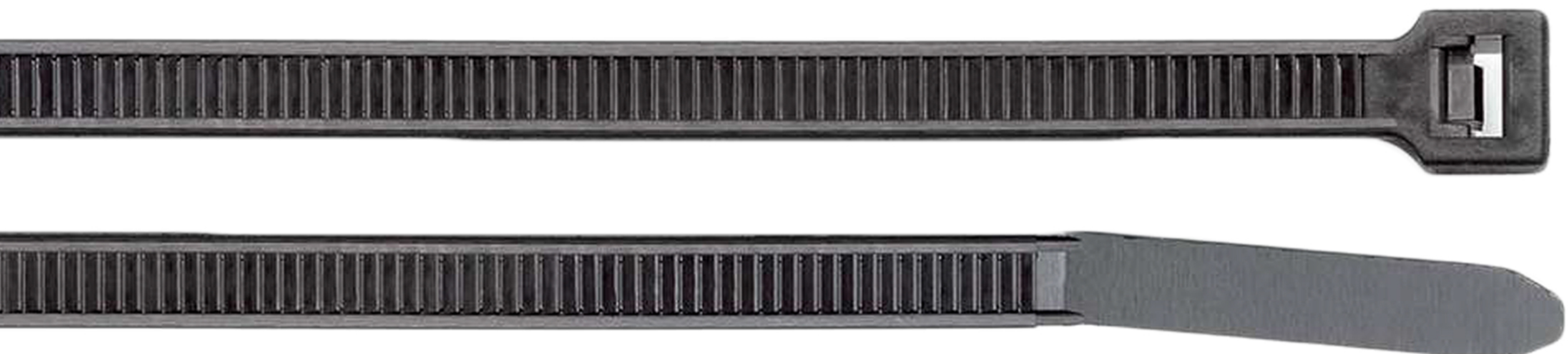
- Nylon 6.6, in accordance with UL94-V2

## STANDARD COLOUR

- NATURAL WHITE - BLACK

## CHEMICAL RESISTANCE

- high resistance to brake fluids, lubricants, power steering fluids, oil, grease, paints, lacquers, detergents, animal and vegetable fats, gasoline and alkalis up to 40%.





## DIMENSIONS AND PACKAGING

TYPE	LENGTH (mm)	WIDTH (mm)	MAX BUNDLE DIAMETER (mm)	MIN. TENSILE STRENGTH (kg)	PACKAGING
ULT3-10	100	3.6	18	18	100
ULT3-15	150	3.6	35	18	100
ULT3-20	200	3.6	50	18	100
ULT3-25	250	3.6	63	18	100
ULT3-30	300	3.6	76	18	100
ULT4-16	160	4.8	38	22	100
ULT4-20	200	4.8	50	22	100
ULT4-25	250	4.8	63	22	100
ULT4-30	300	4.8	76	22	100
ULT4-35	350	4.8	96	22	100
ULT4-40	400	4.8	109	22	100
ULT4-45	450	4.8	120	22	100
ULT4-50	500	4.8	132	22	100
ULT4-55	550	4.8	145	22	100
ULT4-61	610	4.8	159	22	100
ULT4-74	740	4.8	205	22	100
ULT7-15	150	7.6	35	55	100
ULT7-20	200	7.6	50	55	100
ULT7-25	250	7.6	63	55	100
ULT7-30	300	7.6	76	55	100
ULT7-35	350	7.6	94	55	100
ULT7-40	400	7.6	109	55	100
ULT7-45	450	7.6	120	55	100
ULT7-50	500	7.6	132	55	100
ULT7-55	550	7.6	145	55	100
ULT7-61	610	7.6	159	55	100
ULT7-71	710	7.6	190	55	100
ULT7-76	760	7.6	210	55	100

# CABLE TIE BASES

## FEATURES

- Temperature Range minimum -20°C to maximum + 60°C
- Designed to compliment our range of Nylon cable ties
- Four entry design, for ease of use
- High tack self-adhesive backing

## APPLICATIONS

- Safely and easily secures cable tie

## STANDARD MATERIAL

- Base: Nylon 6.6 (Polyamide)
- Backing: White polythene foam
- Adhesive: Synthetic rubber

## STANDARD COLOUR

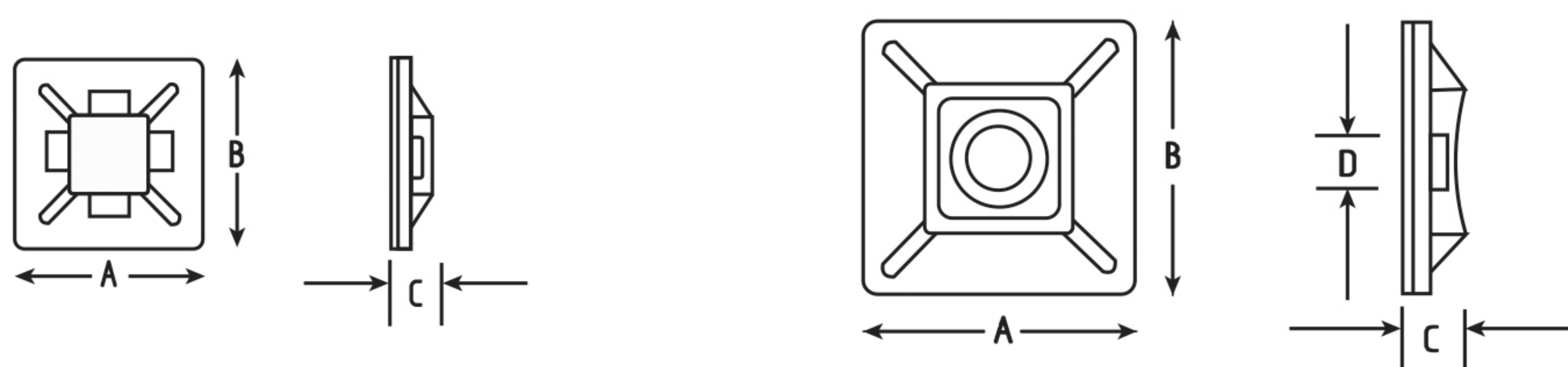
- NATURAL WHITE - BLACK

## CHEMICAL RESISTANCE

- high resistance to lubricants, oil, grease, paints, lacquers, detergents, gasoline.



## DIMENSIONS AND PACKAGING



TYPE	DIMENSIONS A x B (mm)	HEIGHT [ C ] (mm)	FIXING HOLE [ D ] (mm)	MAXIMUM TIE WIDTH (mm)
ULT1/4 NAT	25	5.0	M6	5.5
ULT1/4 BLK	25	5.0	M6	5.5
ULT2/4 NAT	40	7.2	M6	7.5
ULT2/4 NAT	40	7.2	M6	7.5



# STAINLESS STEEL CABLE TIES, UNCOATED

## FEATURES

- Temperature Range minimum  $-80^{\circ}\text{C}$  to maximum  $+300^{\circ}\text{C}$
- Cable ties made from stainless steel SS 304 and SS 316
- A very strong ball lock.
- Easy to clamp with Partex's tools: SSTG or SSAT

## APPLICATIONS

- Great for restraining harnesses and cables. Quick and safe installation in a variety of applications.

## STANDARD MATERIAL

- 304 - 316 Stainless steel, Non toxic, recyclable. Halogenfree, ameproof, UVresistant.

## STANDARD COLOUR

- SILVER

## CHEMICAL RESISTANCE

- high resistance to acids, salt, brake fluids, lubricants, power steering fluids, oil, grease, paints, lacquers, detergents, animal and vegetable fats, gasoline.





# STAINLESS STEEL CABLE TIES, COATED

## FEATURES

- Temperature Range minimum  $-105^{\circ}\text{C}$  to maximum  $+150^{\circ}\text{C}$
- Cable ties made from stainless steel SS 304 and SS 316, coated with black polyester
- A very strong ball lock.
- The outer layer of black polyester and gently rounded edges protect the cable from damage

## APPLICATIONS

- Great for restraining harnesses and cables. Quick and safe installation in a variety of applications.

## STANDARD MATERIAL

- 304 - 316 Stainless steel, with black polyester coating, Non-toxic, recyclable, low smoke, halogen free.

## STANDARD COLOUR

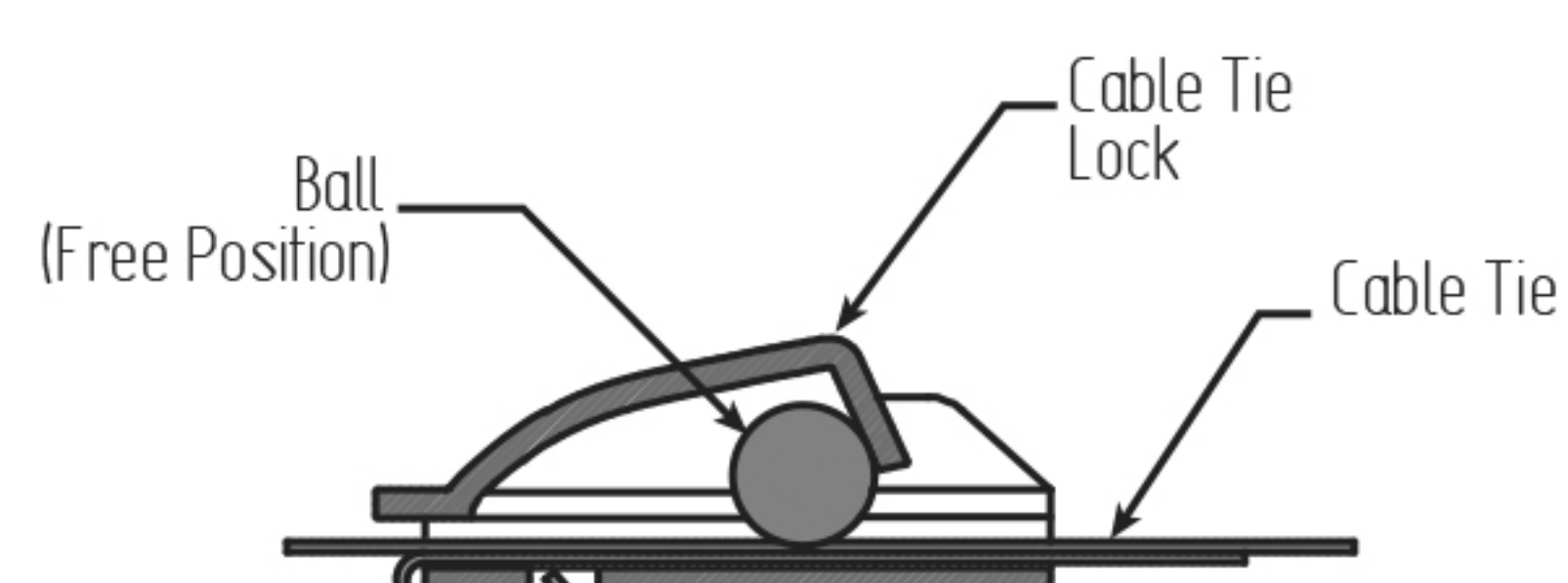
- BLACK

## CHEMICAL RESISTANCE

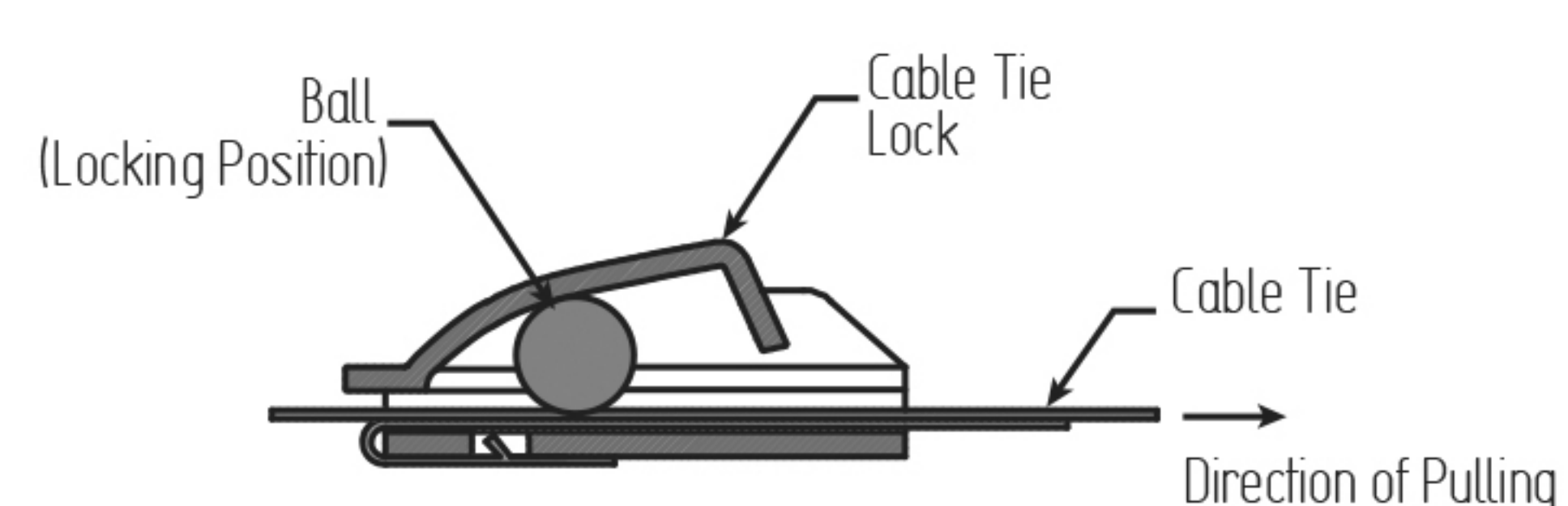
- high resistance to acids, salt, brake fluids, lubricants, power steering fluids, oil, grease, paints, lacquers, detergents, animal and vegetable fats, gasoline.

## Ball Lock

1) Free Position



2) Locking Position



## SS 304 - SS 316 DIMENSIONS AND PACKAGING

TYPE	LENGTH (mm)	WIDTH (mm)	MAX BUNDLE DIAMETER (mm)	MIN. TENSILE STRENGTH (kg)	PACKAGING
ULT-10S	100	4.6	18	68	100
ULT-15S	150	4.6	35	68	100
ULT-20S	200	4.6	50	68	100
ULT-25S	250	4.6	63	68	100
ULT-30S	300	4.6	85	68	100
ULT-35S	350	4.6	96	68	100
ULT-40S	400	4.6	110	68	100
ULT-45S	450	4.6	125	68	100
ULT-50S	500	4.6	142	68	100
ULT-55S	550	4.6	161	68	100
ULT-60S	600	4.6	178	68	100
ULT-65S	650	4.6	189	68	100
ULT-70S	700	4.6	200	136	100
ULT-75S	750	4.6	216	136	100
ULT-80S	800	4.6	237	136	100
ULT-85S	850	4.6	250	136	100
ULT-90S	900	4.6	265	136	100
ULT-95S	950	4.6	287	136	100
ULT-100S	1000	4.6	300	136	100
ULT-110S	1100	4.6	331	136	100
ULT-120S	1200	4.6	368	136	100
ULT-130S	1300	4.6	400	136	100
ULT-140S	1400	4.6	463	136	100
ULT-150S	1500	4.6	500	136	100
ULT-160S	1600	4.6	500	136	100
ULT-170S	1700	4.6	529	136	100
ULT-180S	1800	4.6	570	136	100