

# ULTRA

## LED STREET LIGHT



**MODEL NO.: ITEM-150**

50W/60W/100W/120W/150W/180W/200W/240W



CE CB



BIS



EAC



intertek

# ULTRA

## OVERVIEW



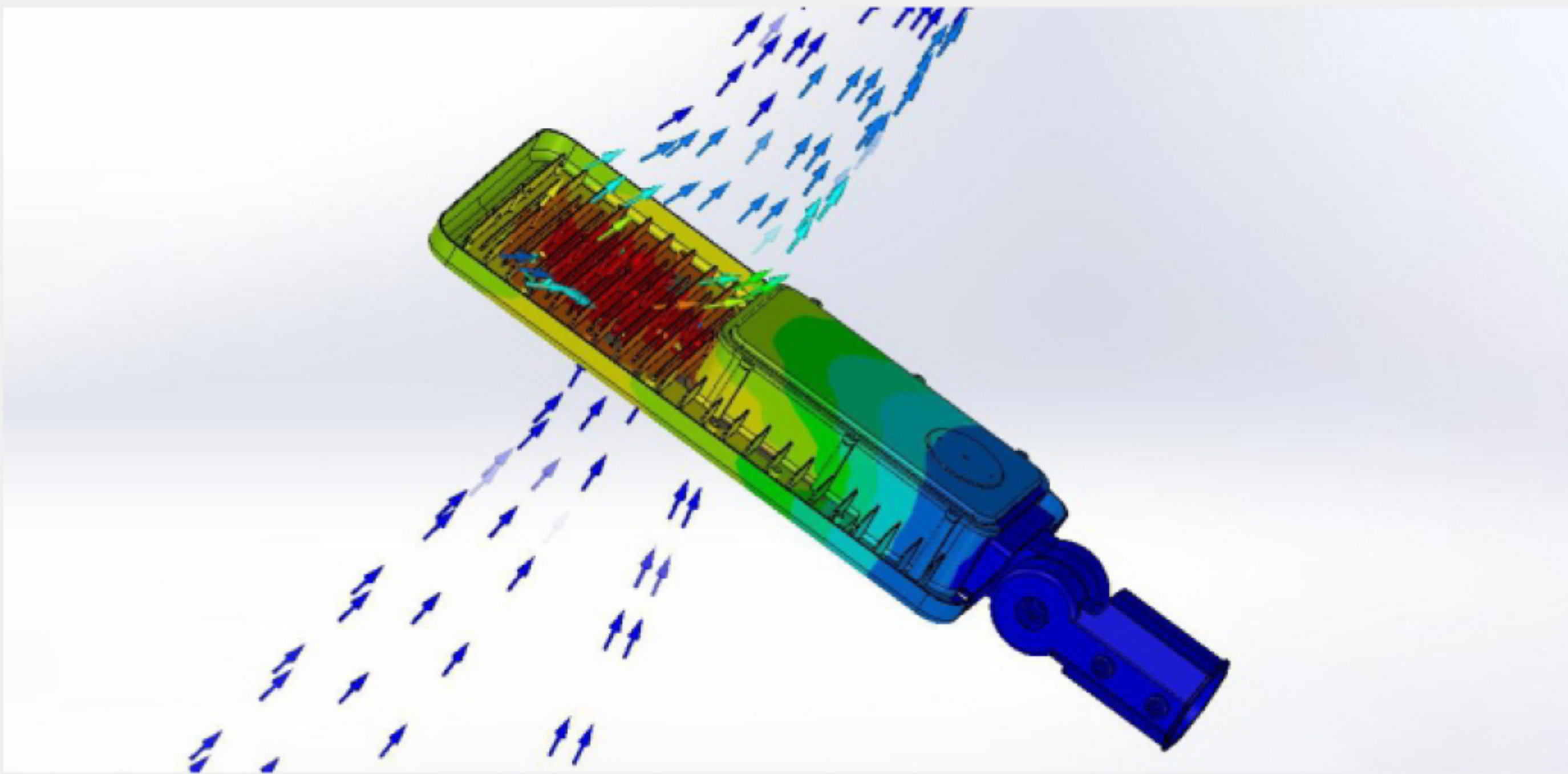
Black

Dark Grey

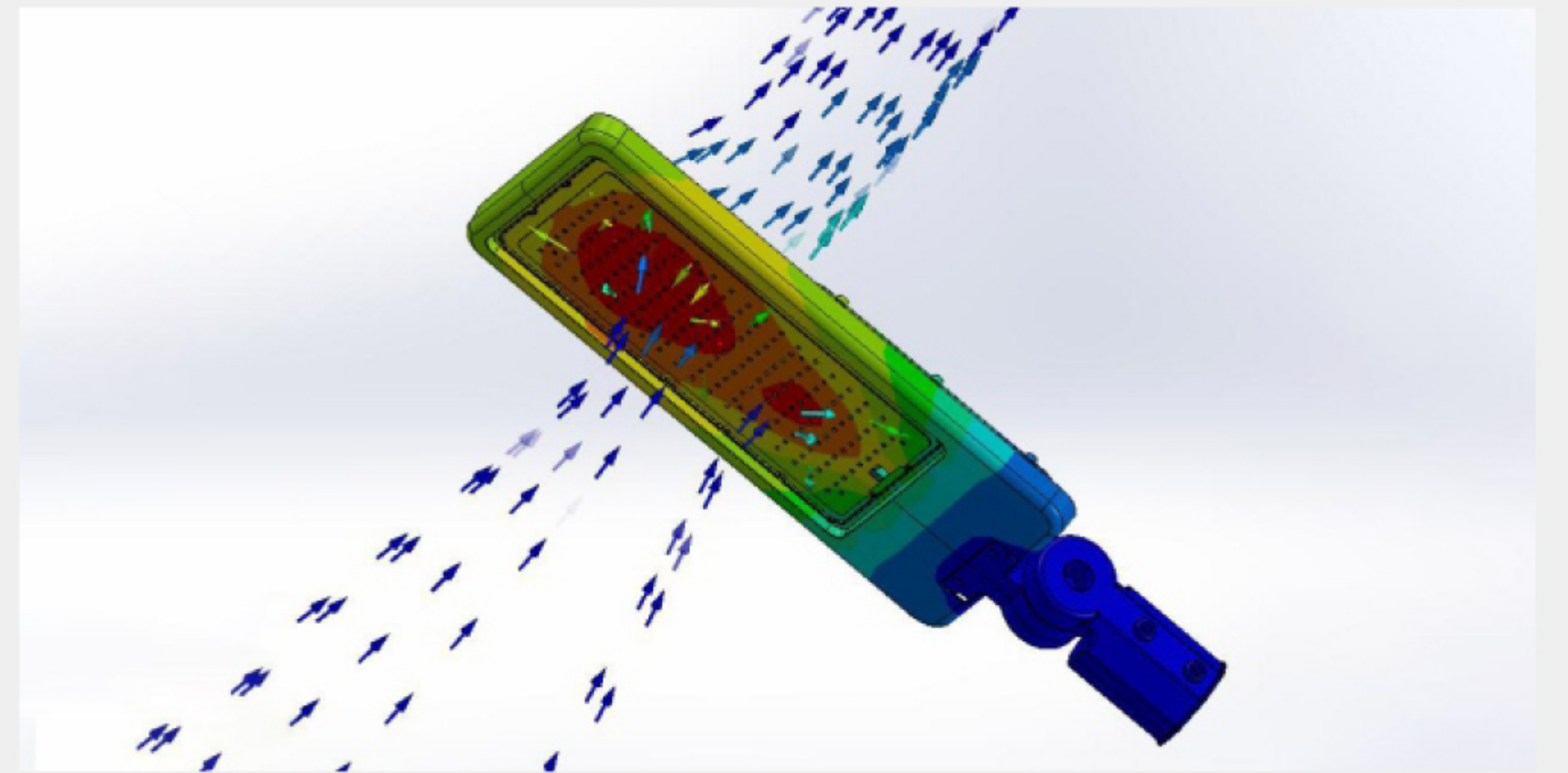
Light Grey

### THERMAL MANAGEMENT

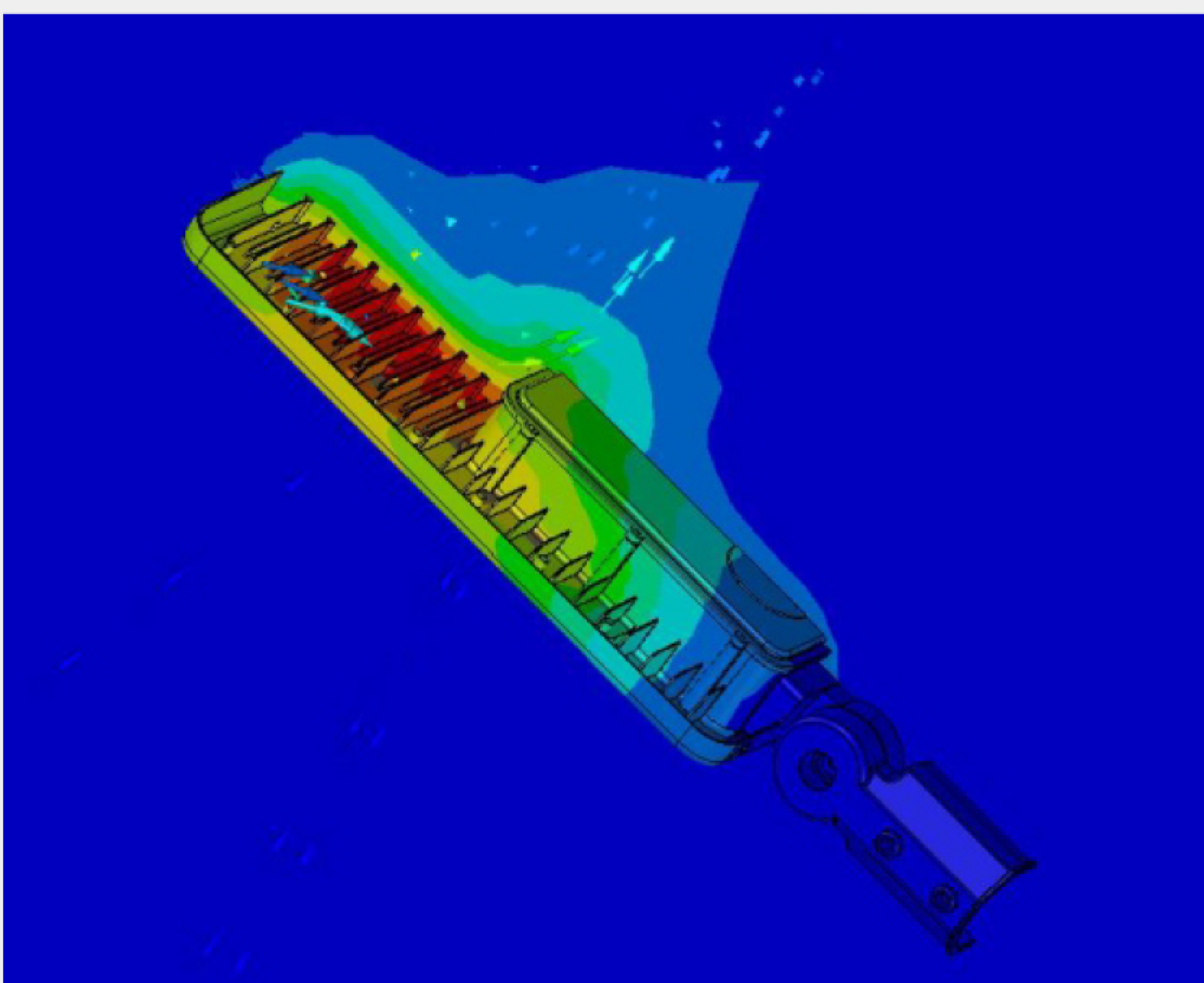
Structure is optimized by advanced FEA technology. Achieving longer lifespan at best cost-efficiency.



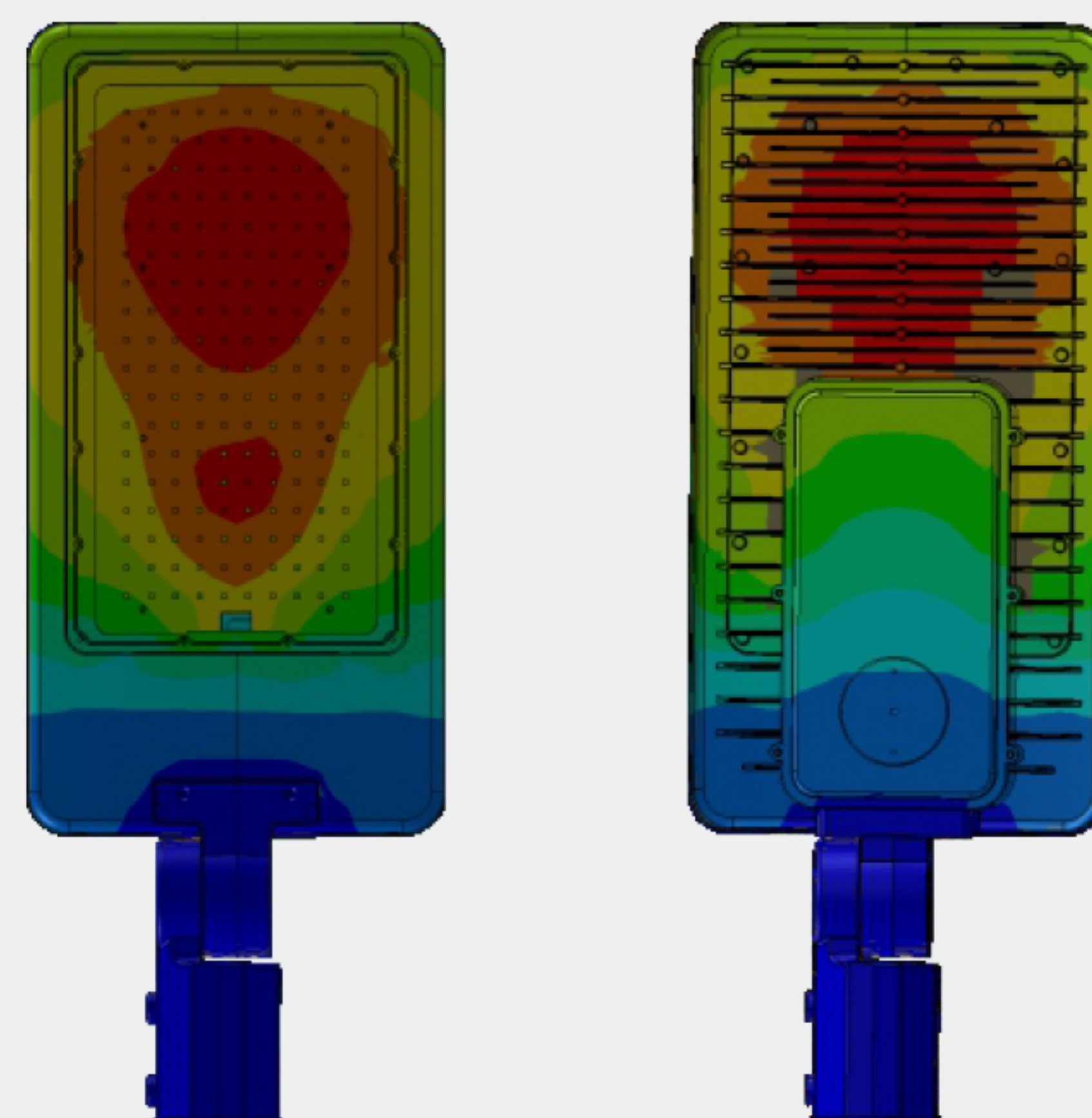
Thermal Air Convection



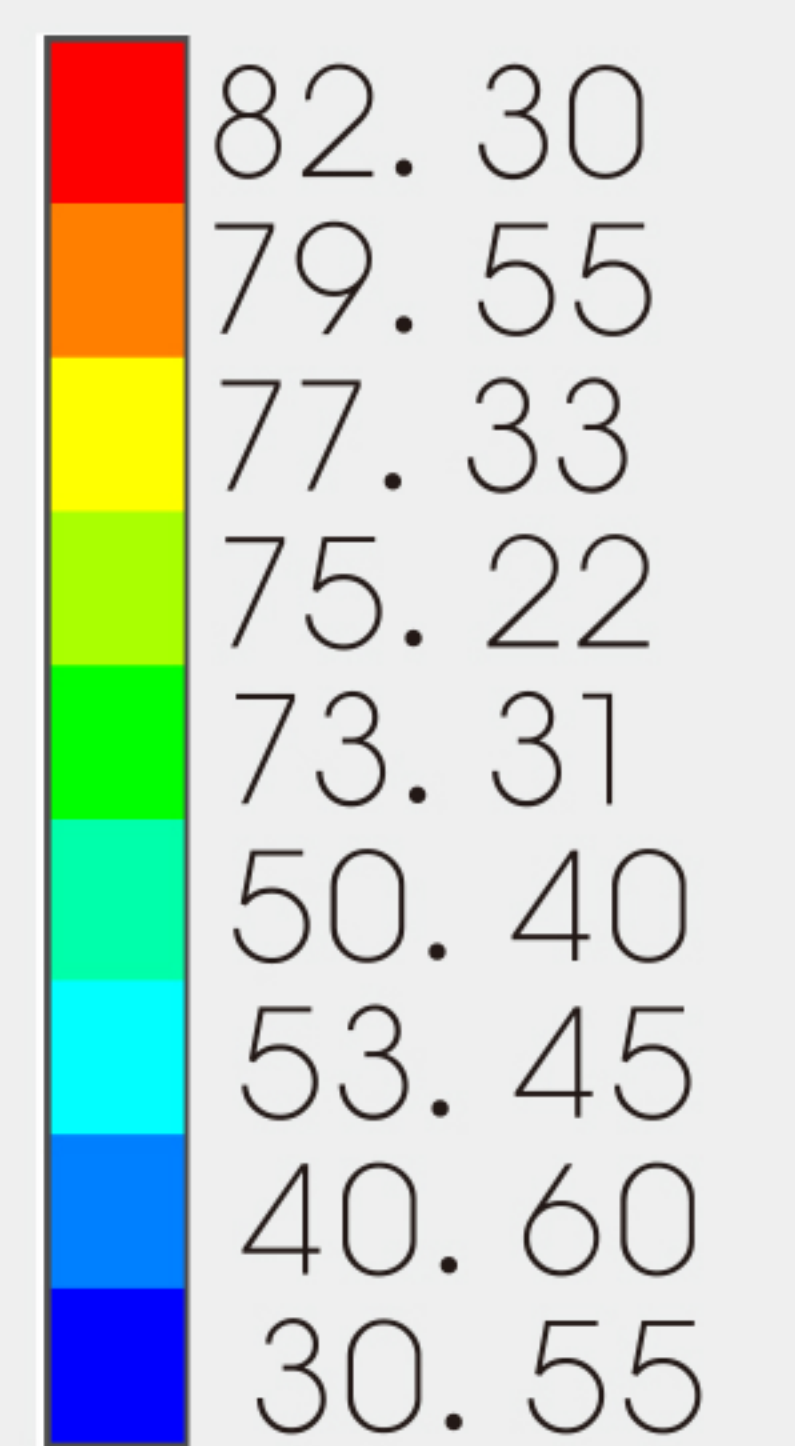
Thermal Air Convection



Thermal Effects to Air



Thermal Conductivity



Unit : °C

# ULTRA

## EXPLODED

Optional with Photocell Sensor

Die-casting Aluminum Housing

Silicon Rubber

IP65 Waterproof LED Driver

Die-casting Aluminum Housing

Driver Fixed Plate

3030/5050 SMD LED Chips

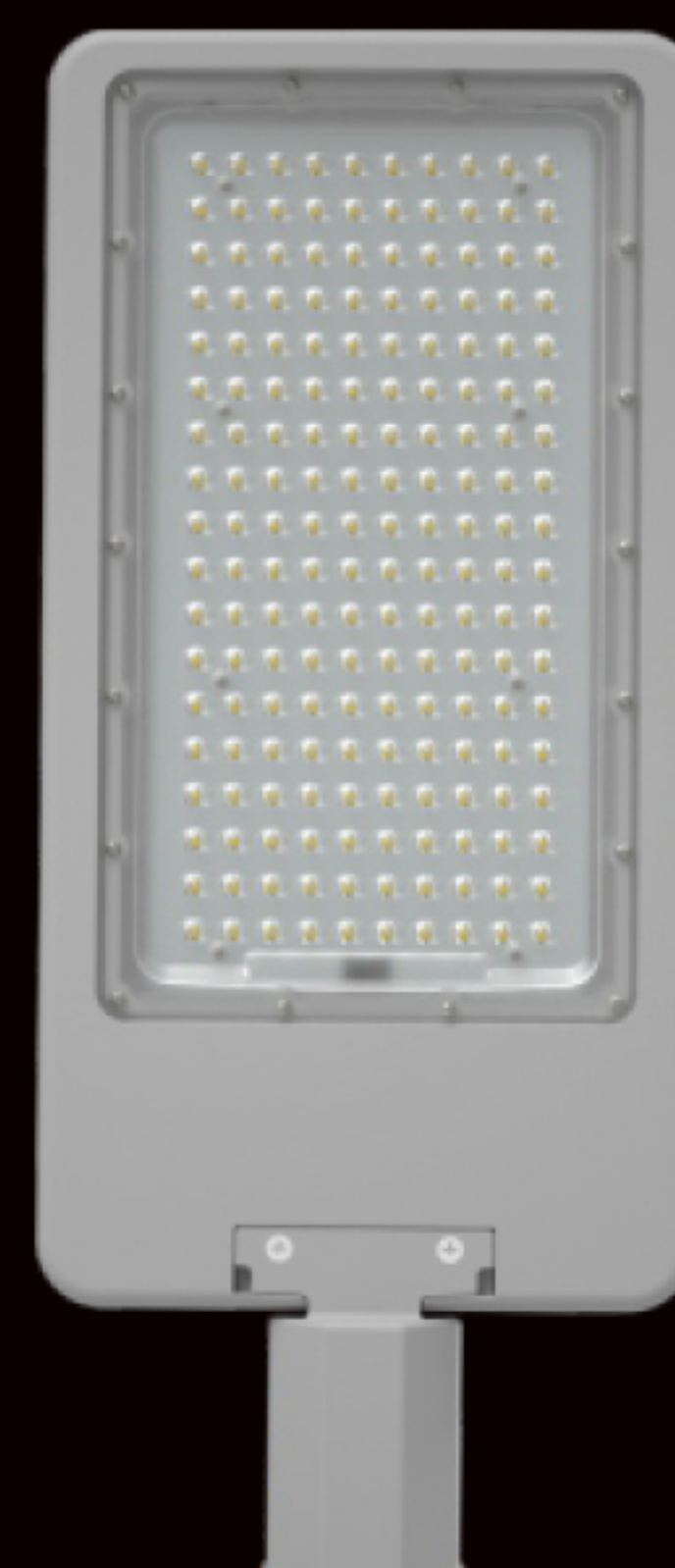
Aluminum PCB

Waterproof Silicon Rubber

UV-proof PC Optical Lens



Optional with solar solutions



Fixed Angle



Adjustable Angle

# ULTRA

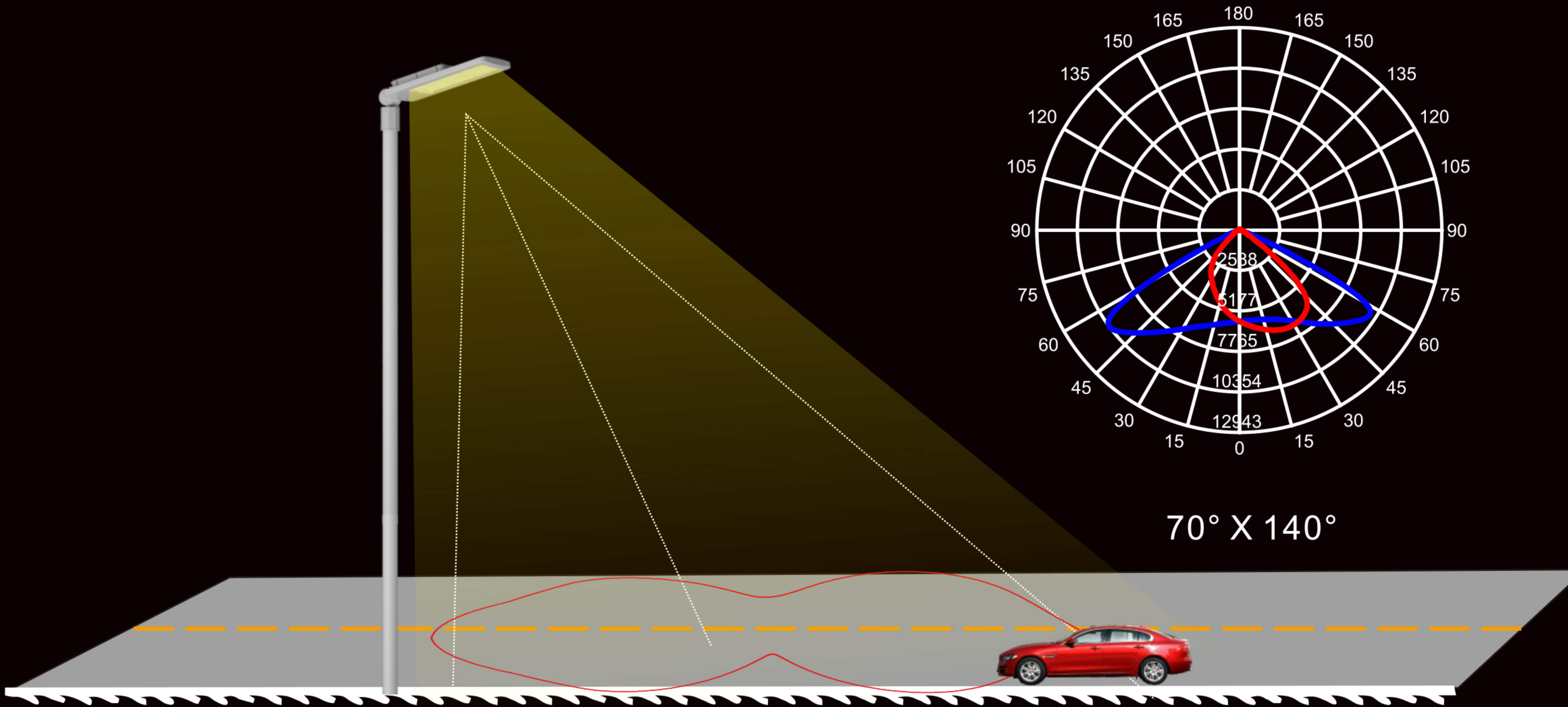
APPLICATIONS

## Widely Applicable

IP65 waterproof design. Apply to lighting for roads, highways, squares, villas and parks. Can use light pole installation or wall installation. Fixed angle and adjustable angle versions are available for choices.



Tech. Support: Tell us the road length, width and pole height. We have engineer team to respond the DIALUX simulations for lights quantity calculation and effects. .ies files are available upon request.



### OPTIONAL WITH SOLAR SOLUTIONS -FEATURES BELOW:

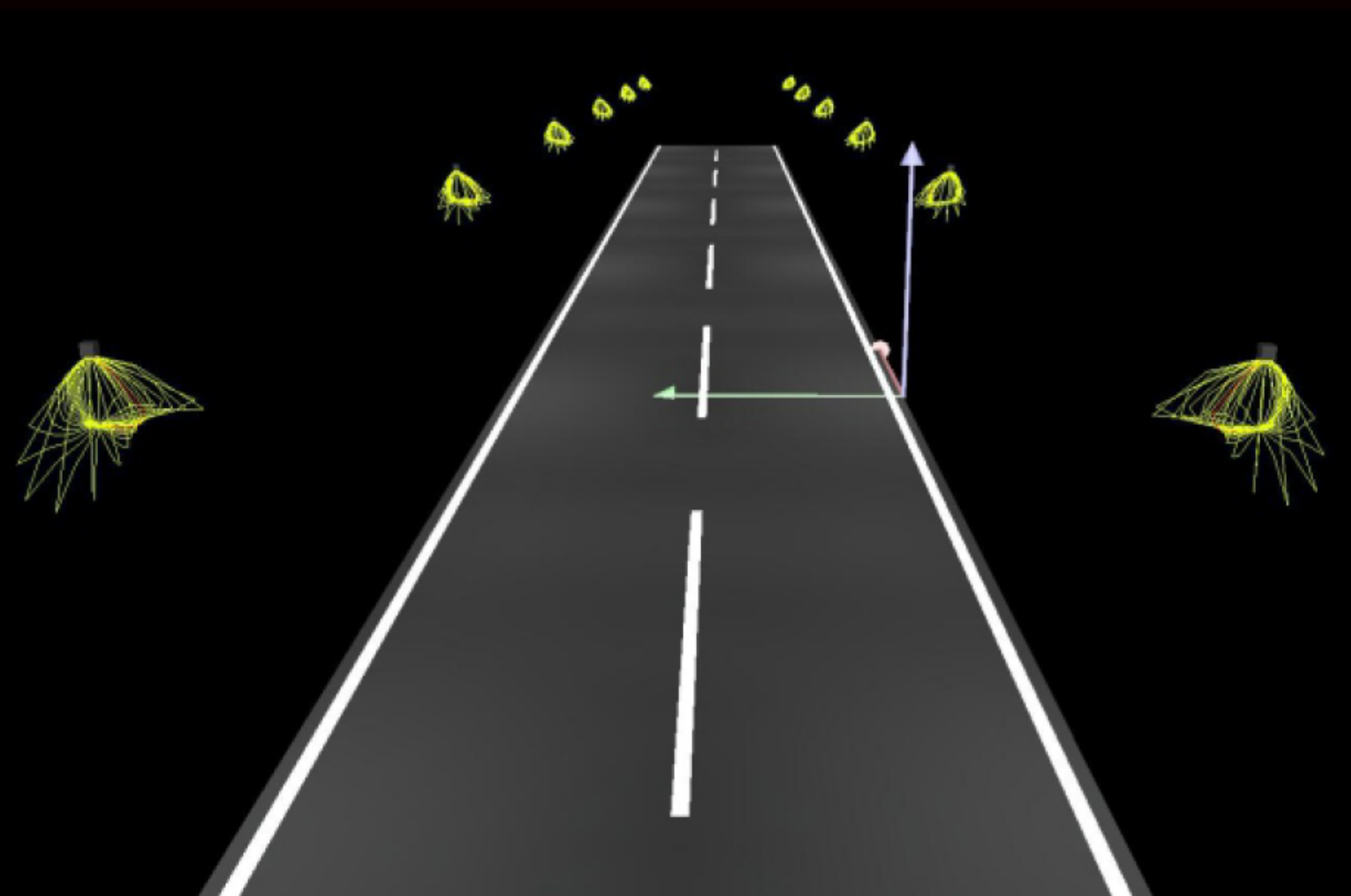
Cut-off lighting distribution design  
Not Dazzling

**Lighting Mode:** Light Induction + Remote Controller

**Auto Working Mode:** 0-30 minutes 100% light; then each 3 minutes the light will be darken 1%

- Invalid Button
- On Switch
- Invalid Button
- Turn Bright
- Half Light Mode
- Timing 3 hours, after the light working 3 hours, it will turn off automatically
- Timing 8 hours, after the light working 8 hours, it will turn off automatically

- Off Switch
- Full Light Mode
- Turn Dark
- 0-30 minutes 100% light; then each 3 minutes the light will be darken 1%
- Timing 5 hours, after the light working 5 hours, it will turn off automatically



# ULTRA

## SPECIFICATIONS



### PARAMETERS

Model	Item-150A	Item-150A	Item-150A	Item-150A	Item-150A	Item-150A
Lamp Power	50W	60W	100W	120W	150W	200W/240W
LED Qty	60pcs	60pcs	120pcs	120pcs	180pcs	240pcs
PCB Details	12B5C	12B5C	12B5C×2	12B5C×2	12B5C×3	12B5C×4
PC Lens	3030SMD	3030SMD	3030SMD	3030SMD	3030SMD	3030SMD
Pole Diameter	Φ60mm	Φ60mm	Φ60mm	Φ60mm	Φ60mm	Φ60mm
Lamp size(mm)	503x169x86	503x169x86	568x210x88	568x210x88	659x250x88	734x300x108
Lamp Base	A. Rotatable angle from 90° -60° -30° --0--30° -60° -90° B. Fixed type					
Material	Die-cast Aluminium+PC Lens, Lens shine angle: 70° X 140°					
Lamp Flux	90-110LM/1W; 120-130LM/1W; 130-140LM/1W					
LED Color	3000-3500K; 4000-4500K; 5000-5500K; 6000-6500K					
IP Grade	IP65					
CRI	Ra>70					
Life Time	50000H					
SPD	4KV-6KV-10KV					
Input Voltage	AC85-305V or AC165-277V					
Body Color	Black or Grey or White; The product can choose to install Photocell Sensor					
Certificate	BIS ,SASO ,CE-LVD-EMC,RoHs ,IES ,TUV, EAC, ISO9001, SAA, Intertek TIR					

### 5050 SMD Rotatable LED Street Light

Model	Item-150B	Item-150B	Item-150B	Item-150B	Item-150B	Item-150B
Lamp Power	50W	60W	100W	120W	150W	200W/240W
LED Qty	30pcs	30pcs	60pcs	60pcs	90pcs	120pcs
PCB Details	15B2C/5B6C	15B2C/5B6C	30B2C/5B6C×2	30B2C/5B6C×2	45B2C/5B6C×3	60B2C/5B6C×4
PC Lens	5050SMD	5050SMD	5050SMD	5050SMD	5050SMD	5050SMD

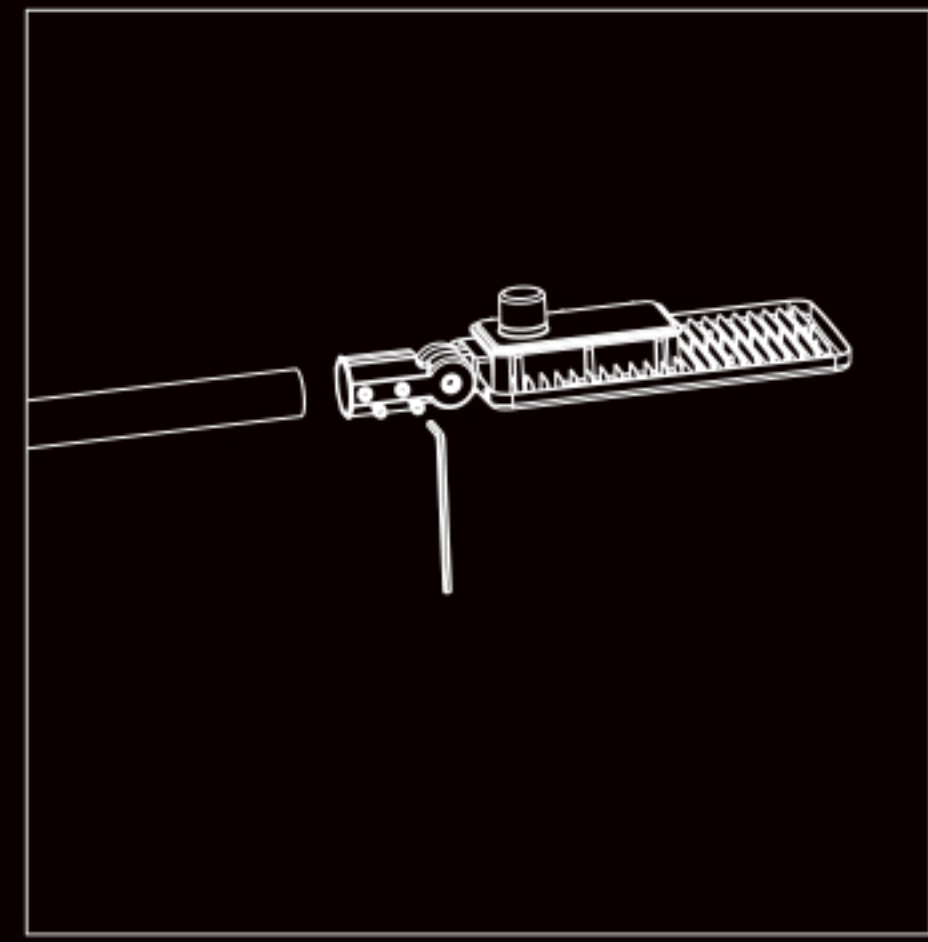
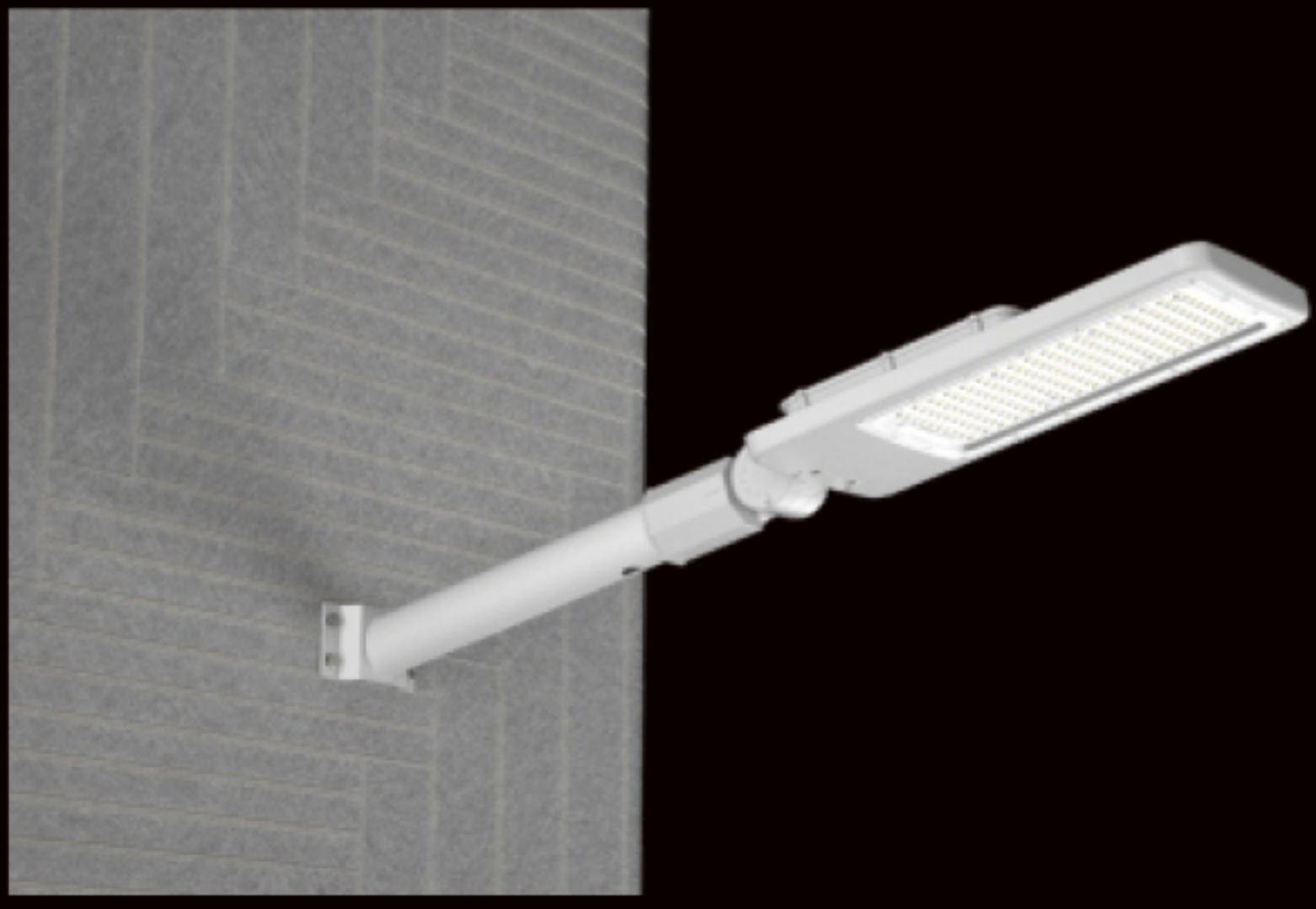
### PACKING DETAILS

Lamp Power	Packing Size(CM)	PCS/CTN	CBM	20' GP/PCS	40' GP/PCS	40HQ/PCS
50W/60W	55*24*11.5	1	0.015	1800	3730	4460
100W/120W	61*29*11.5	1	0.021	1280	2660	3190
150W/180W	69.5*31.5*11.5	1	0.026	1030	2150	2570
200W/240W	77*36.5*13.5	1	0.038	710	1470	1760

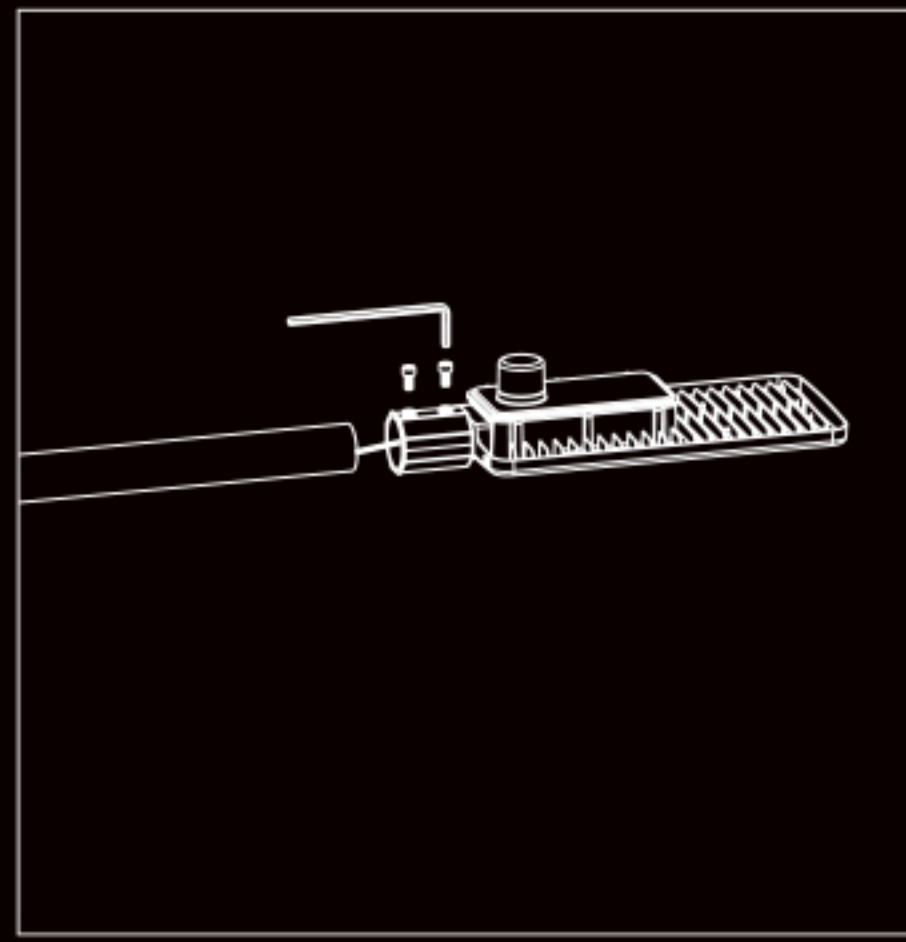
### PACKAGING



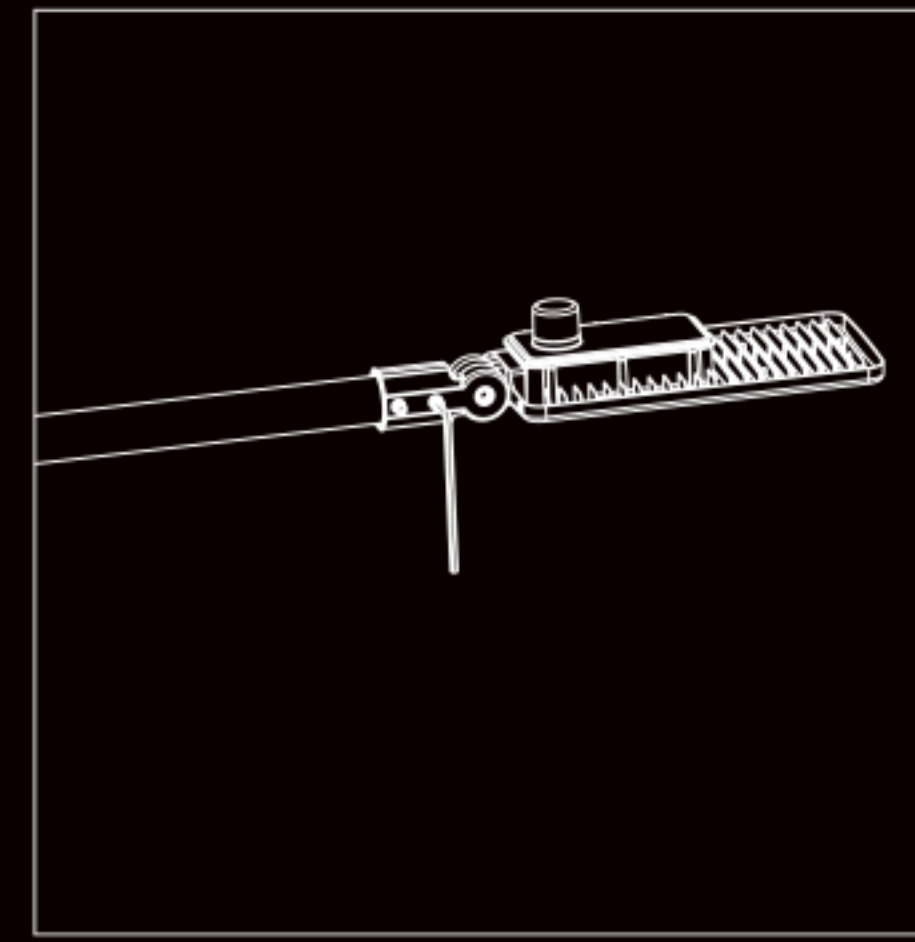
## INSTALLATION METHODS



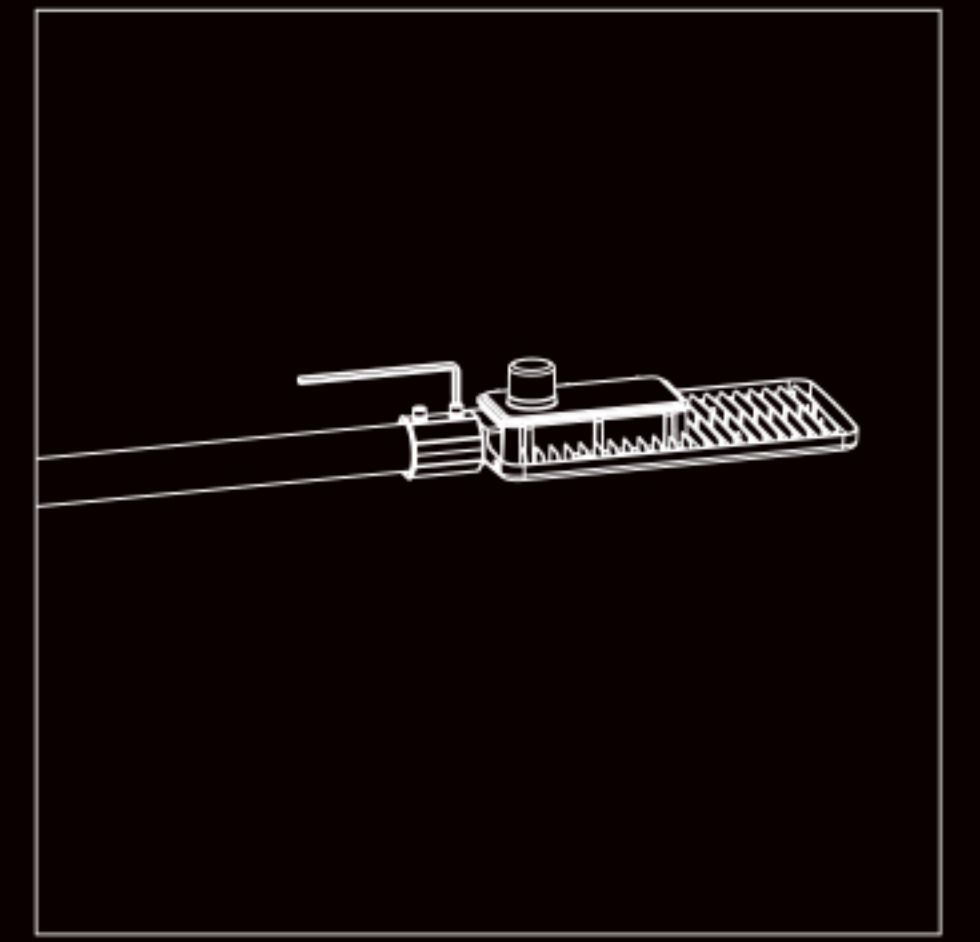
1 Use screws to fix the lamp holder on the wall.



2 Connect wire and put the lamp on the lamp holder.



3 Fasten the screws.

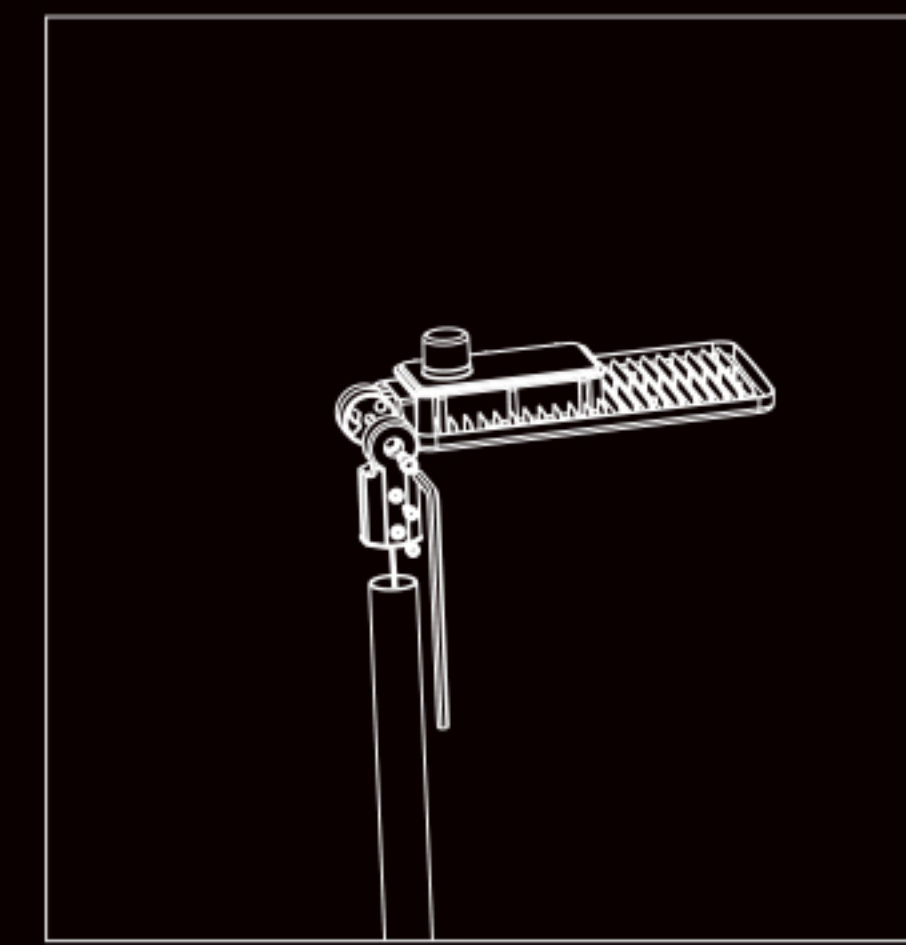


4 Installation completed.

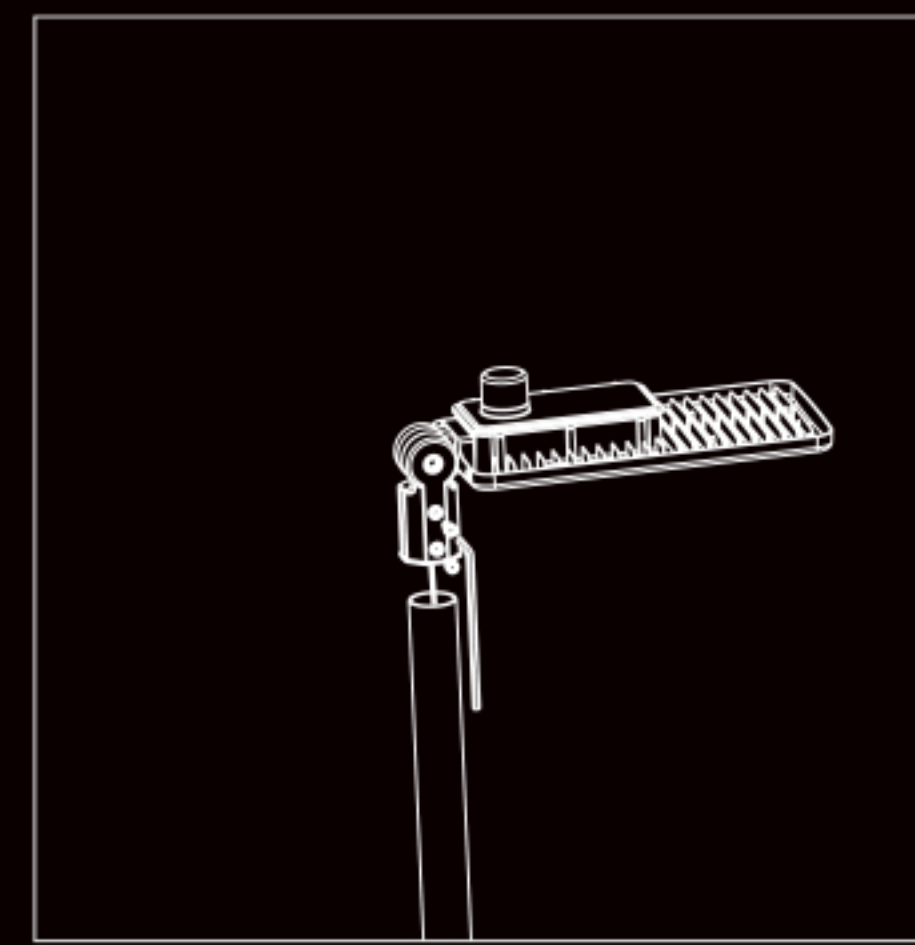
### Wall installation



1 Mount the lamp holder on the pole.



2 Connect wire and put the lamp on the lamp holder.



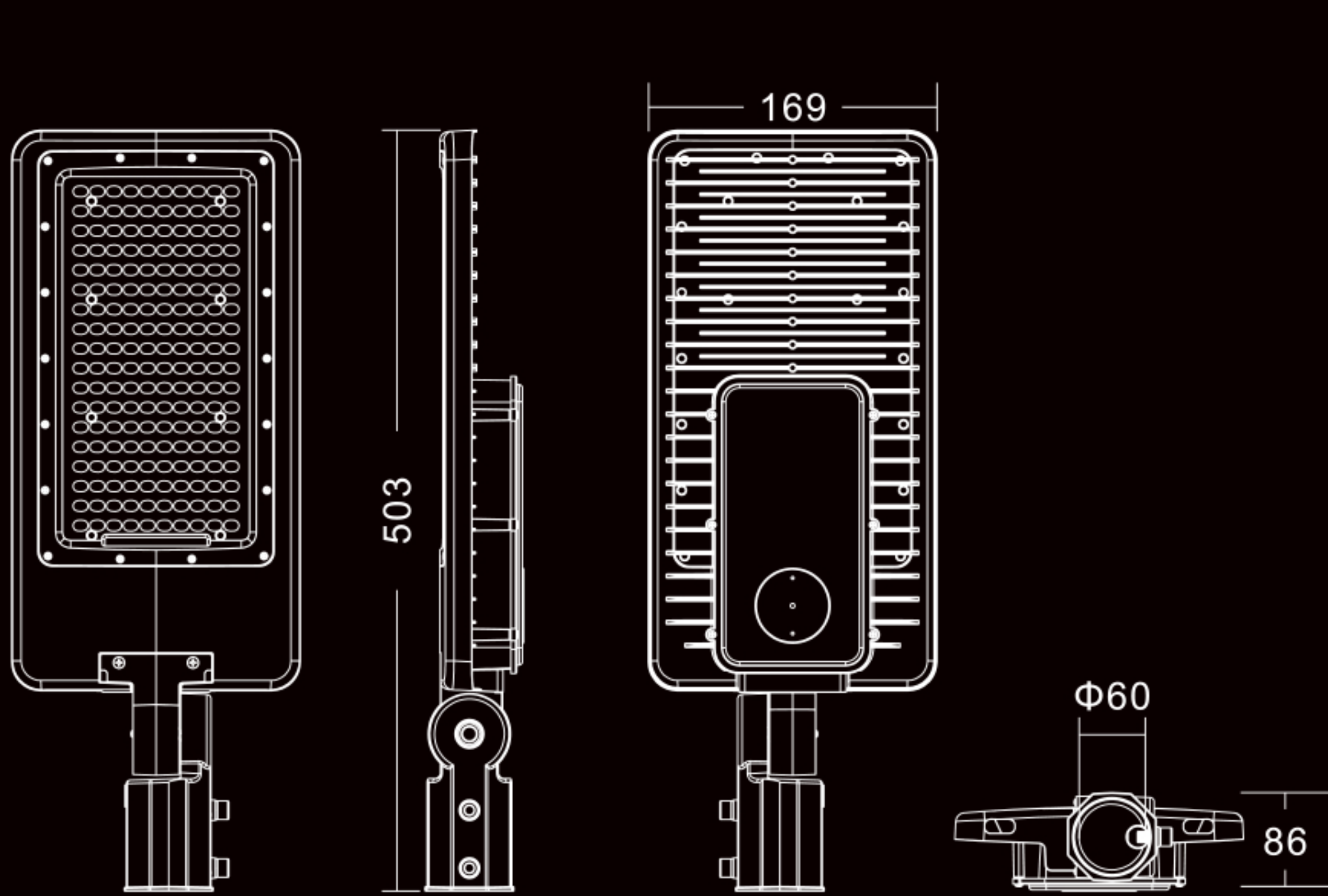
3 Fasten the screws.



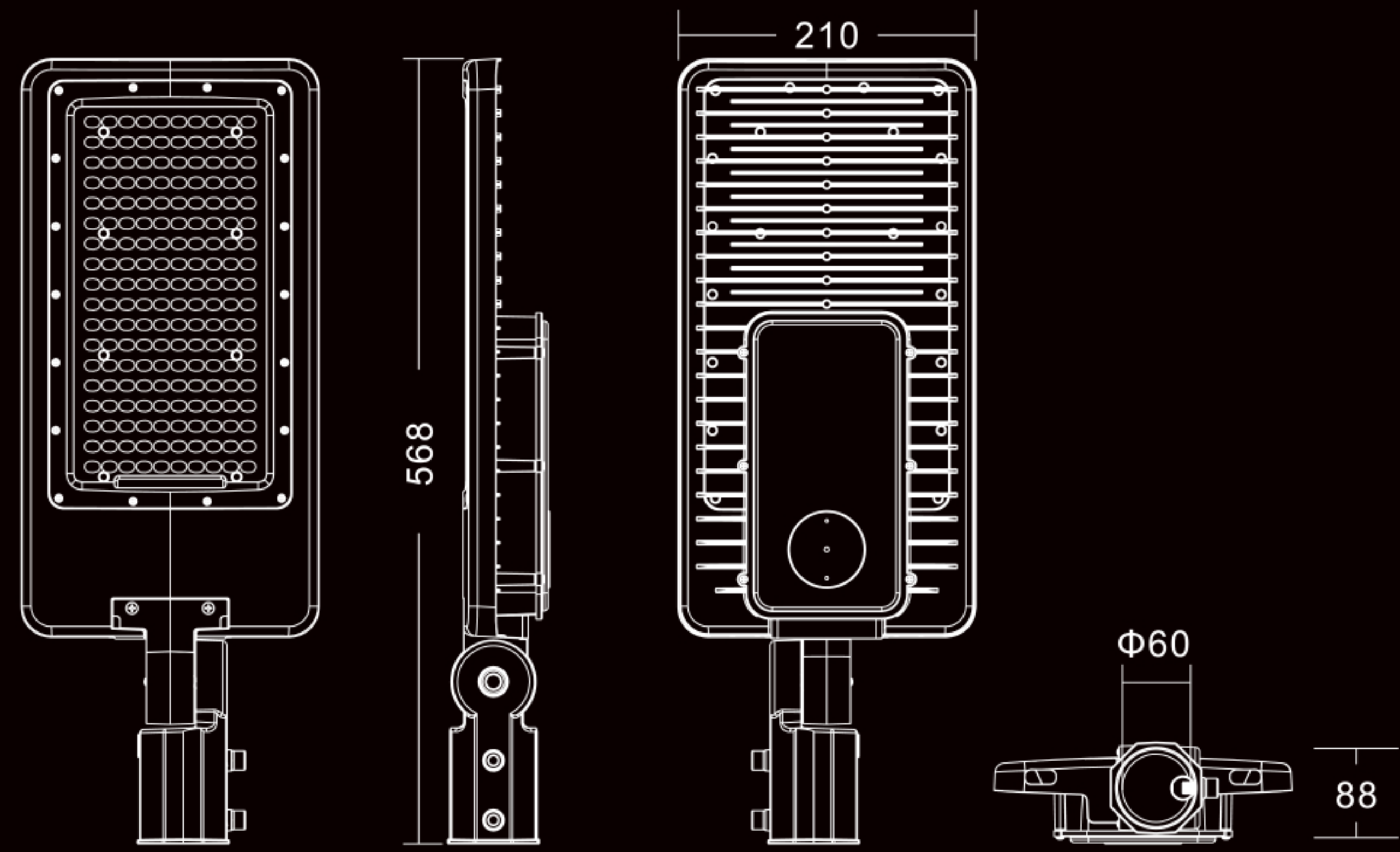
4 Installation completed.

### Light pole installation

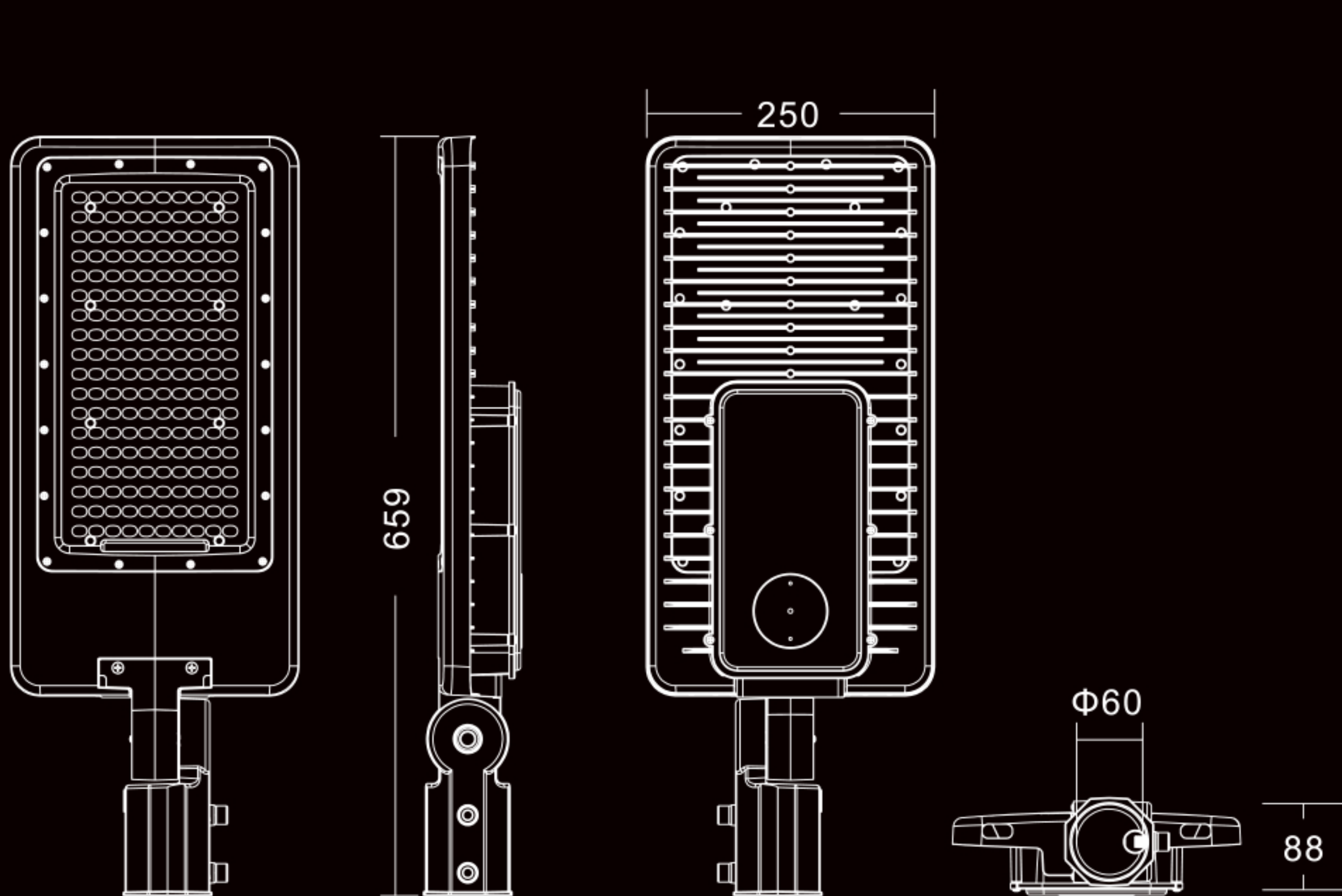
## DIAGRAMS



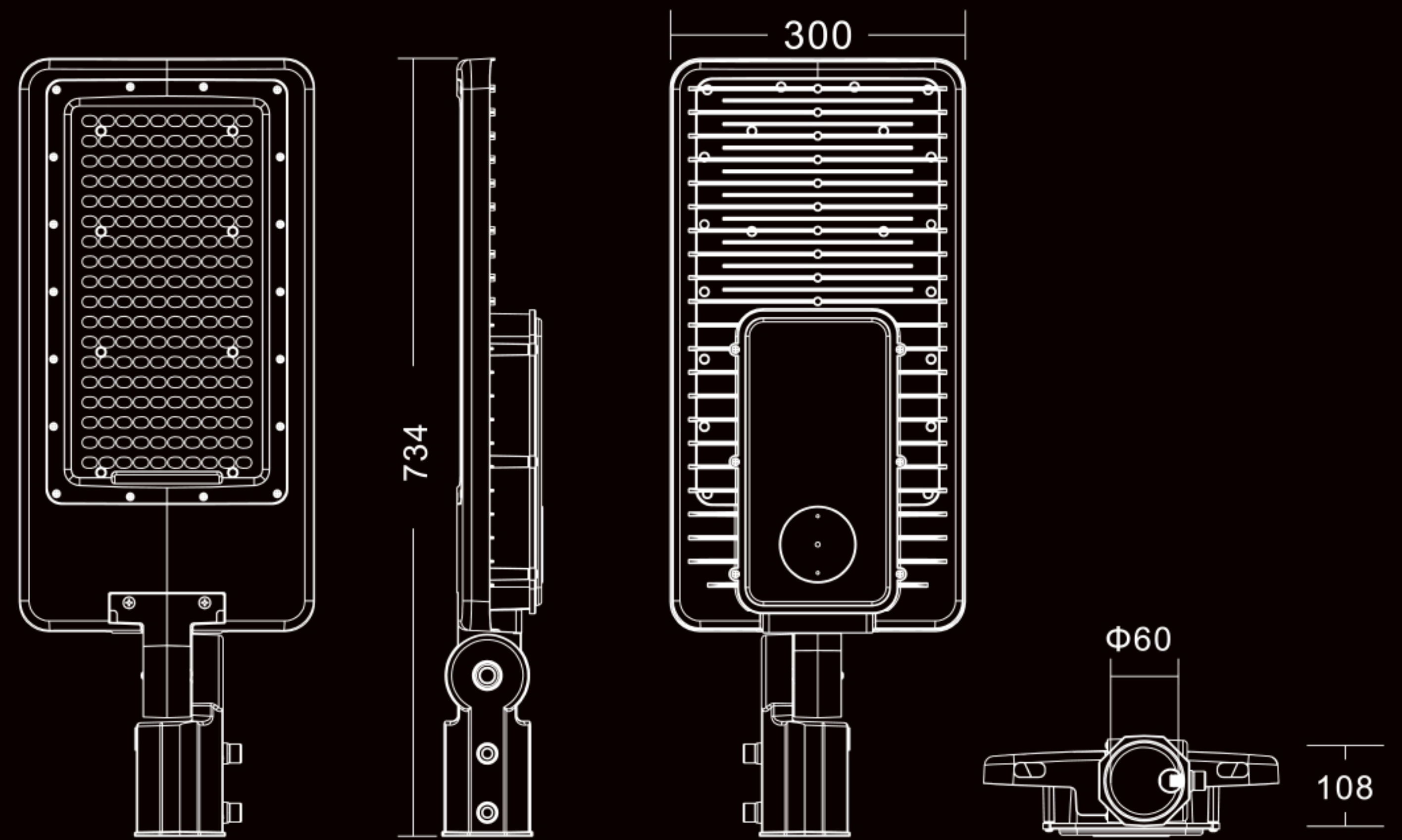
50-60W



100-120W



150-180W



200-240W



## Features

1. AC85-305V or AC165-277V
2. Famous brand 2835/3030 1W SMD light source.
3. Die-casting aluminum body.  
Anti-corrosion powder painting.
4. IP65 Waterproof for outdoor use.
5. 3 or 5 years warranty optional.
6. Export certificates are available.
7. Optional with photocell sensor.
8. Optional with solar street light
9. Optional rotatable angle/fixed

## CAUTIONS:

1. Installation must be done by professional electricians .
2. Do NOT take apart the product. It may be dangerous.
3. Do NOT stare at the light with naked eyes. It is harmful to eyes.
4. For outdoor lighting, waterproof measurements must be done for the cable terminals.

## WARRANTY :

1. All LED Street Lights are warranted by the manufacturer to be free of defects in material and workmanship for 3 or 5 years( as per sale contracts).
2. Warranty becomes void if the products is modified, improperly installed or used, damaged by accident or neglect, or if any parts are improperly installed or replaced by the user.
3. During the warranty time, if the products fails at normal environment and applications, we should decide by our own to repair or replace without any charge.

