

ULTRA

LED FLOOD LIGHT



MODEL NO.: ITEM-109

109A-10W/20W/30W/50W/100W/150W/200W/300W

109B-20W/30W/50W/100W/200W/300W/400W/600W



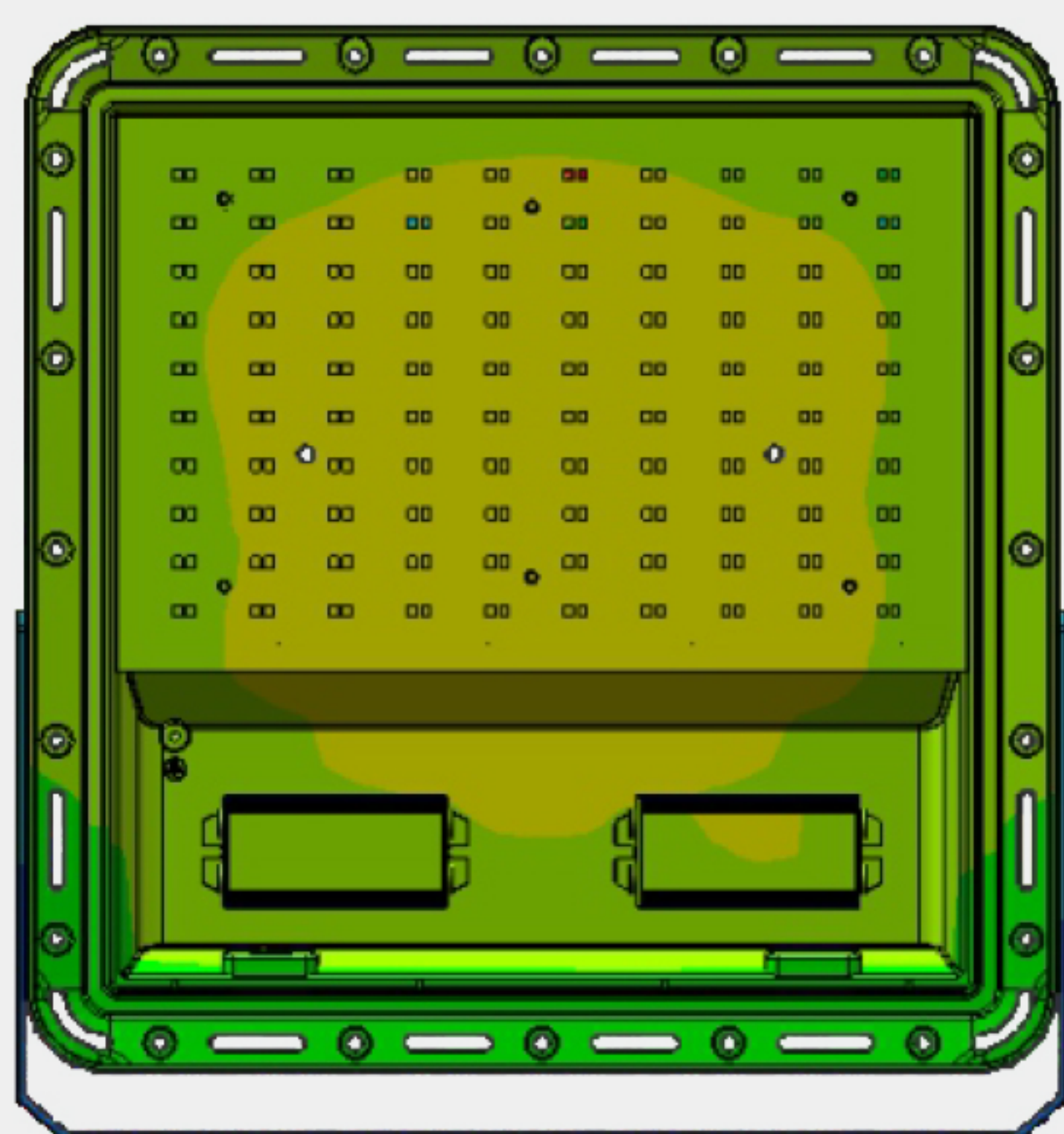
ULTRA

OVERVIEW

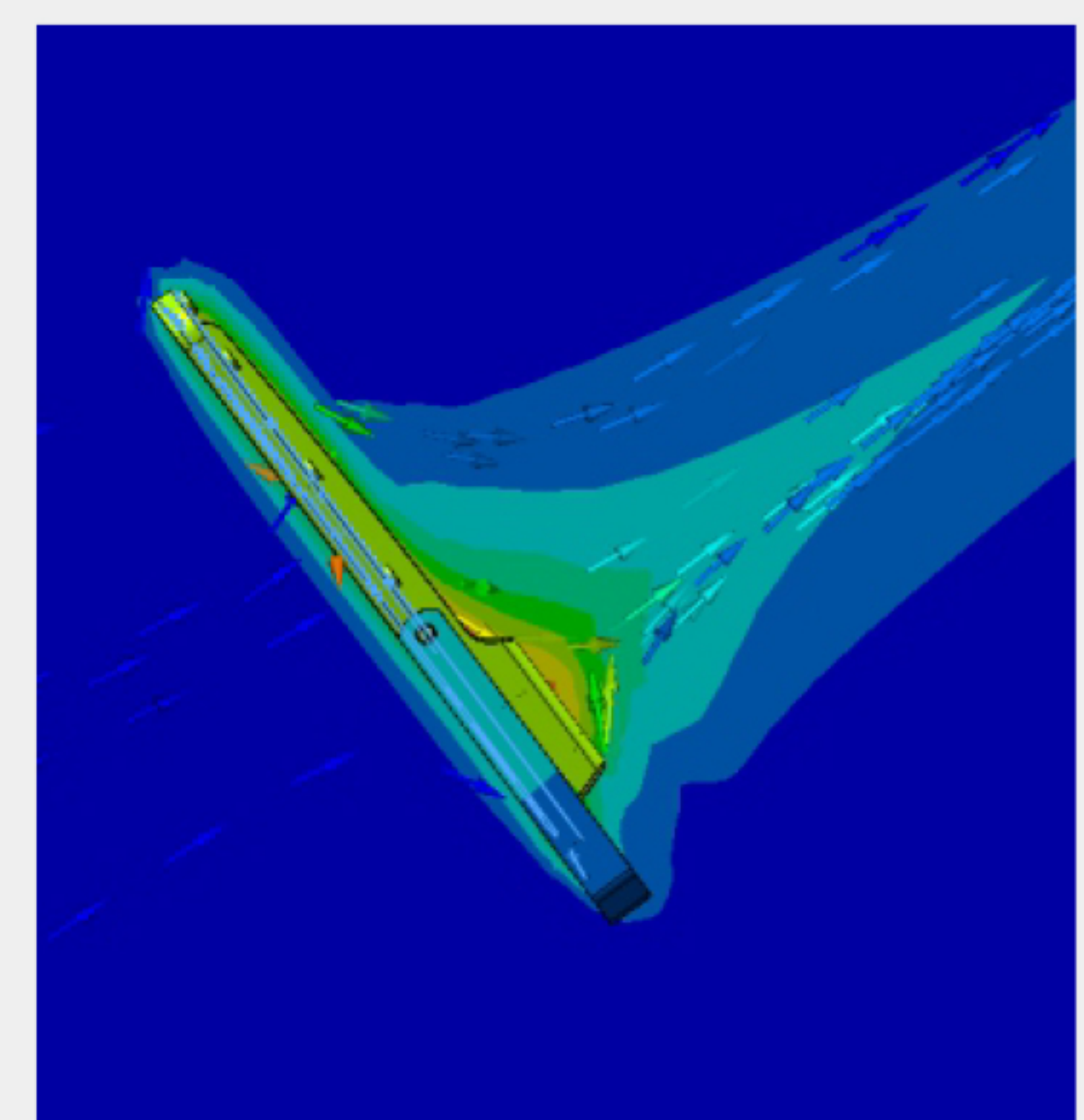
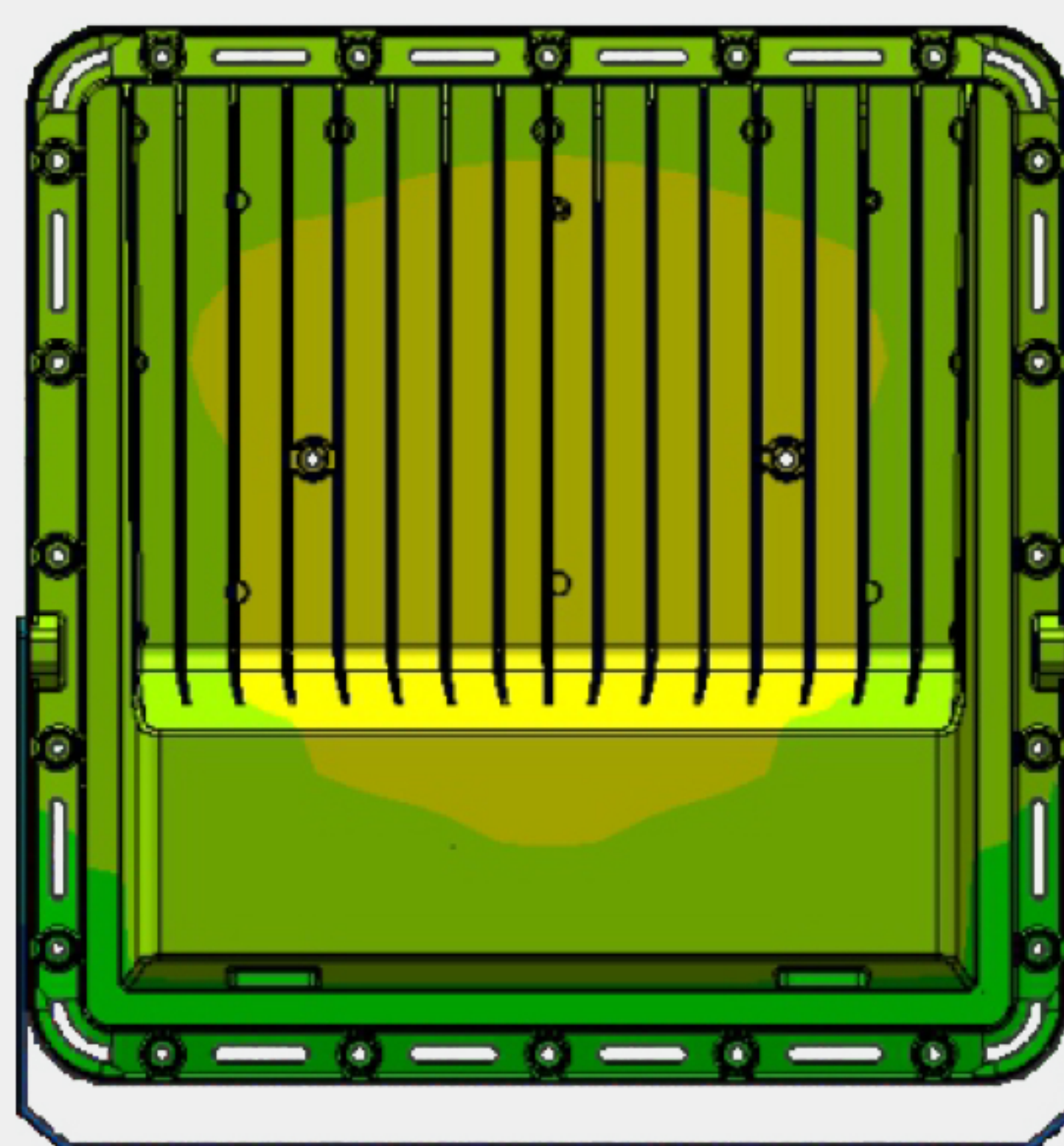


THERMAL MANAGEMENT

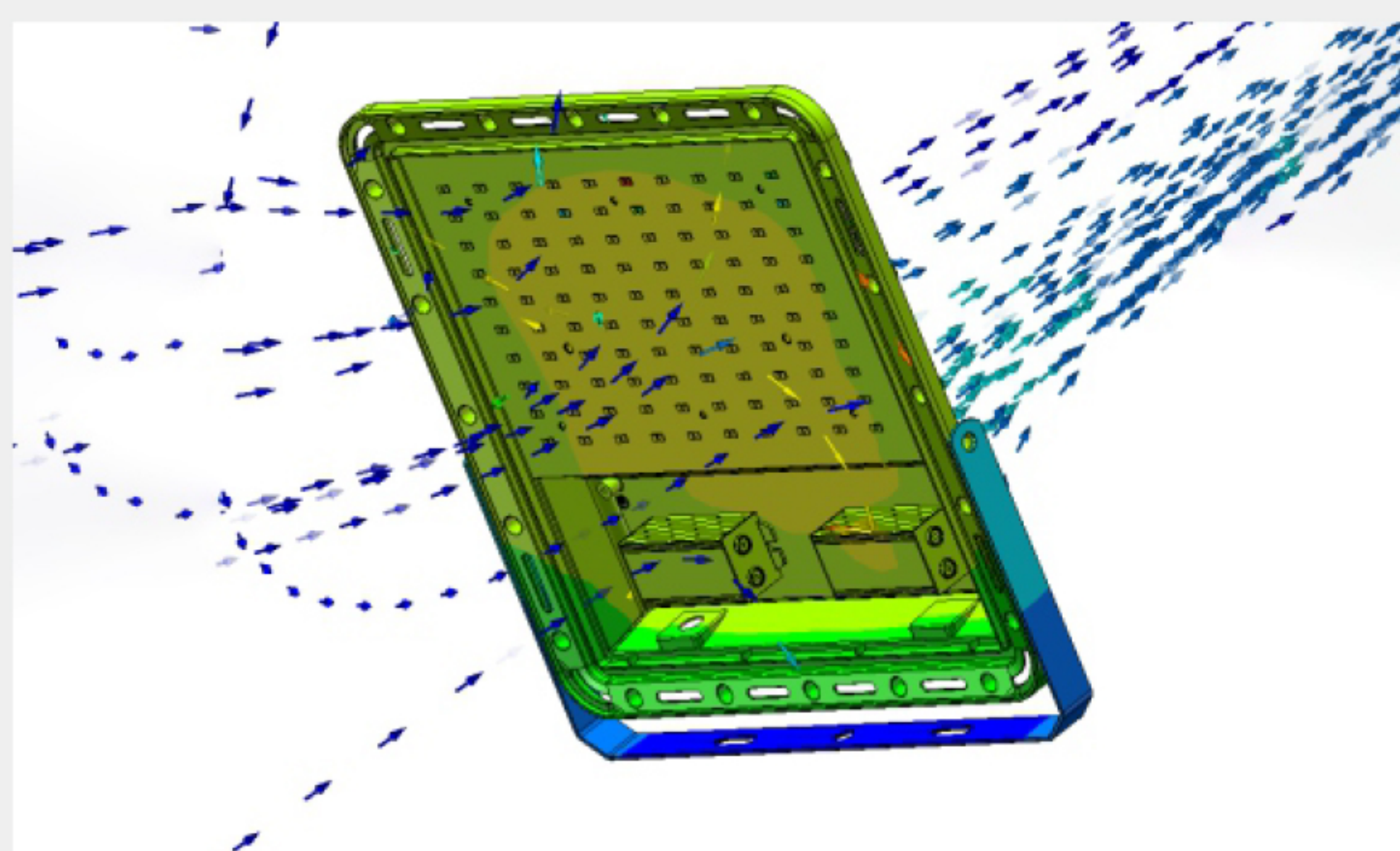
Structure is optimized by advanced FEA technology. Achieving longer lifespan at best cost-efficiency.



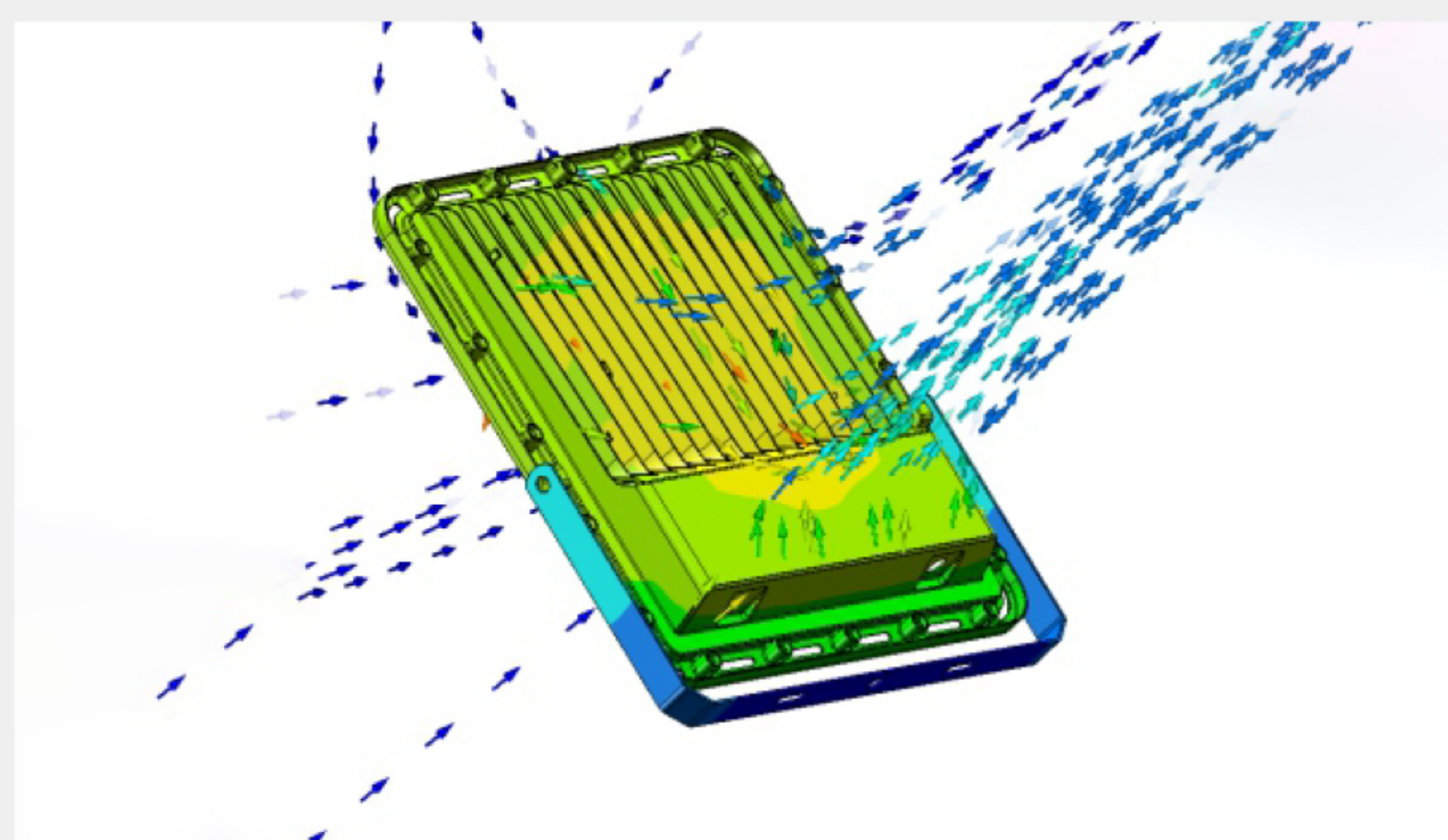
Thermal Conductivity



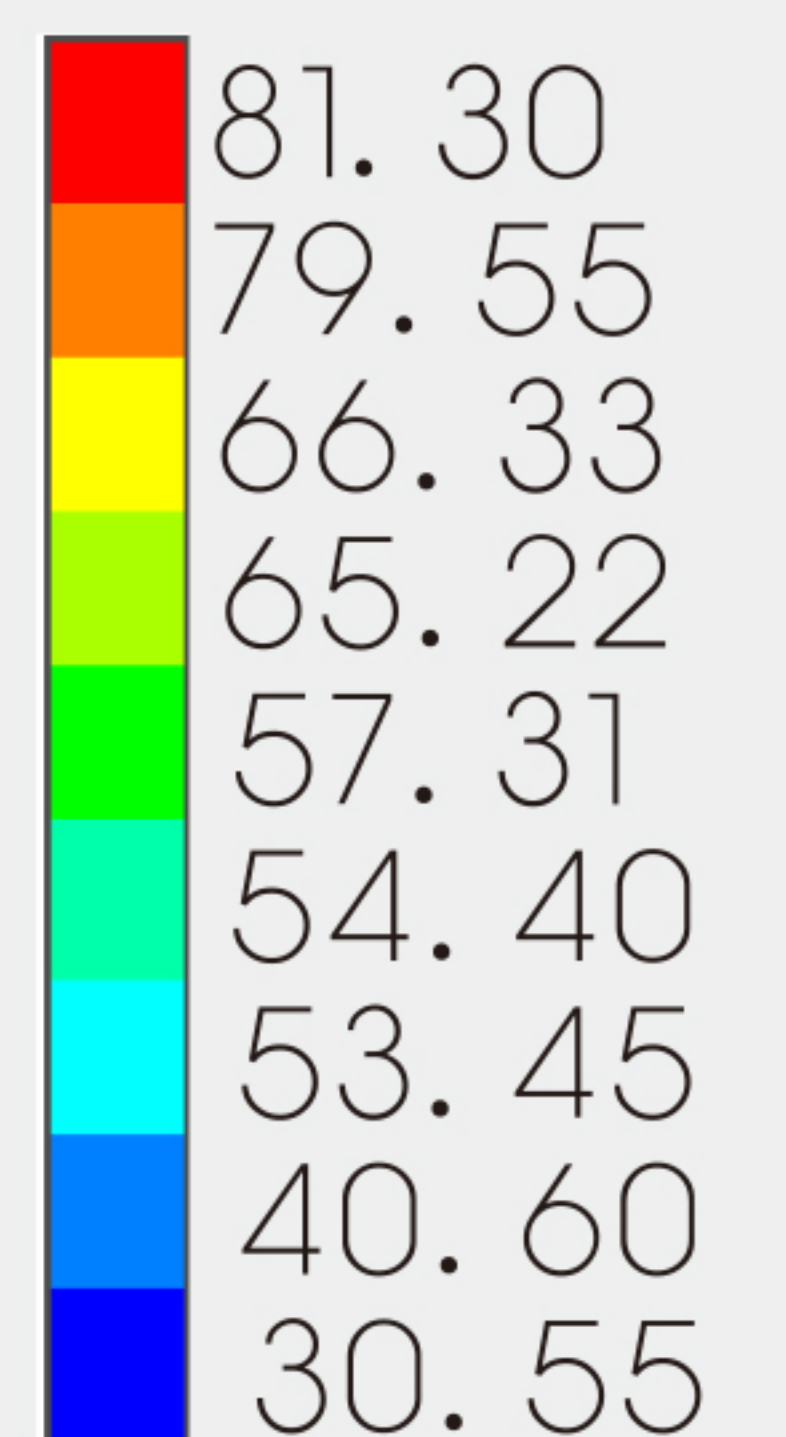
Thermal Effects to Air



Thermal Air Convection



Thermal Air Convection



Unit : °C

Die-casting Aluminum Housing

Iron Bracket

Aluminum PCB

IP66 Waterproof LED Driver

2835/3030 SMD LED Chips

PC Reflector

Waterproof Silicon Rubber

UV-proof PC Optical Lens

OPTIONAL OPTICS



one lens two led chips



one lens five led chips

ULTRA

APPLICATIONS

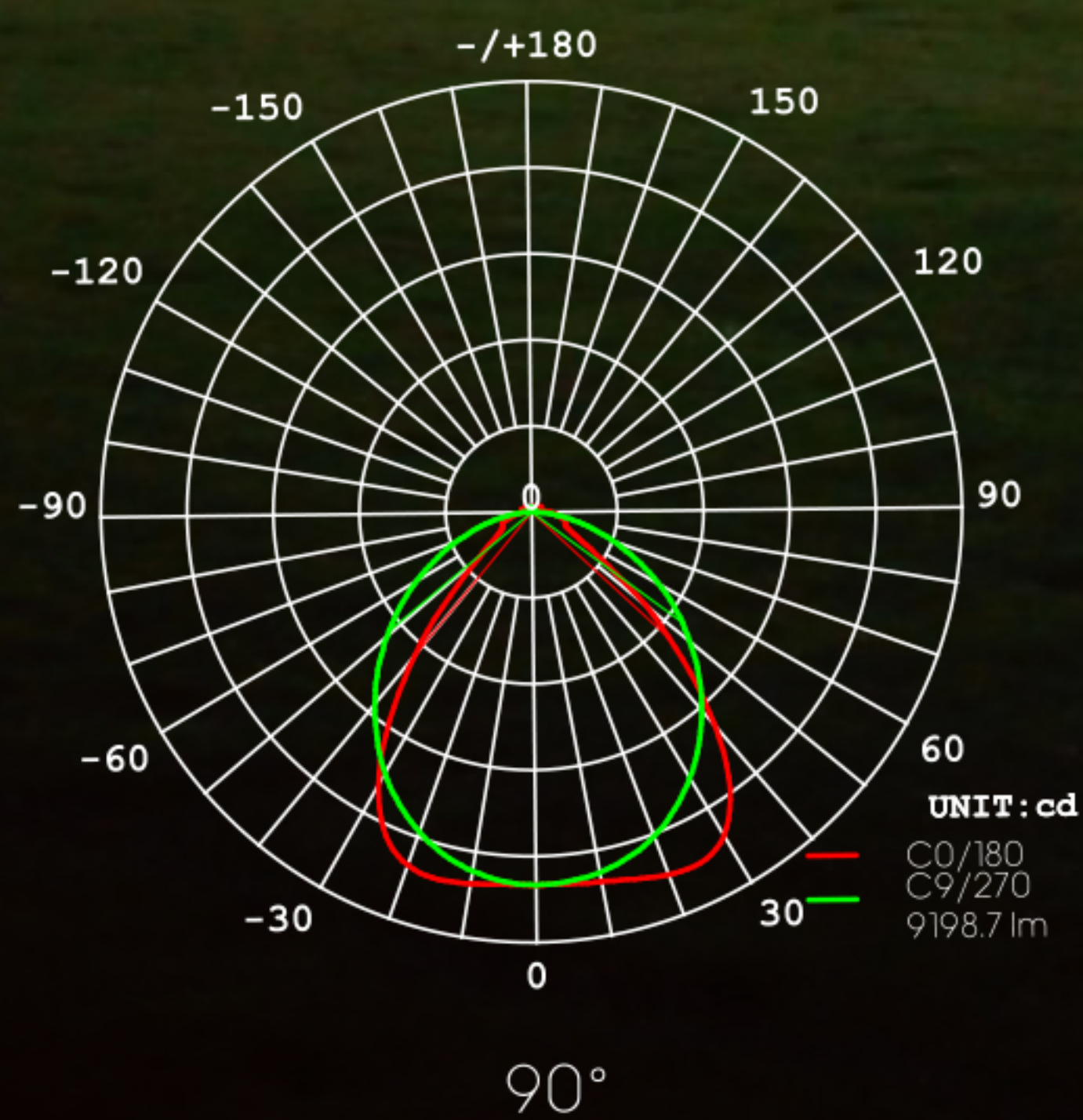
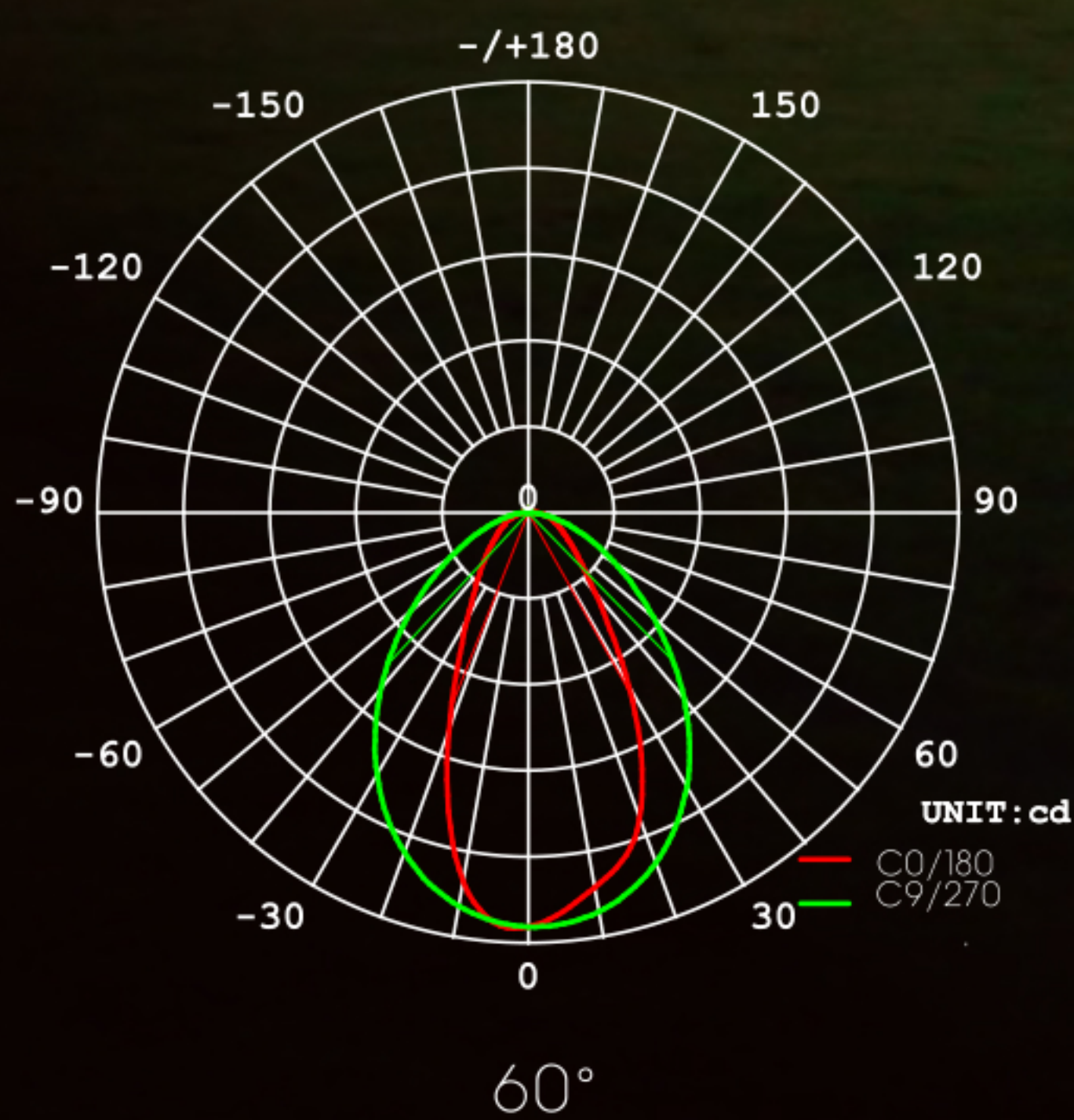
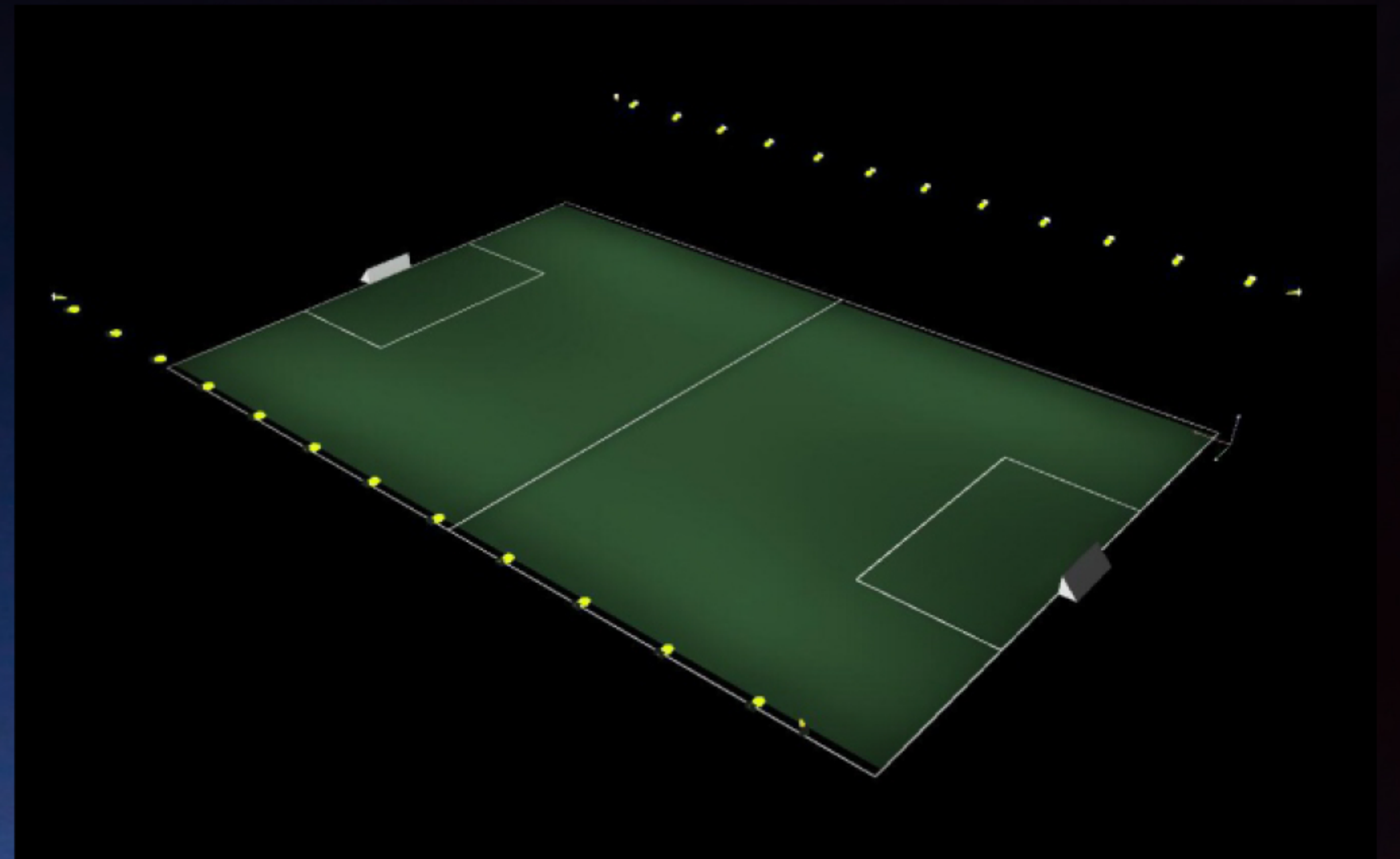
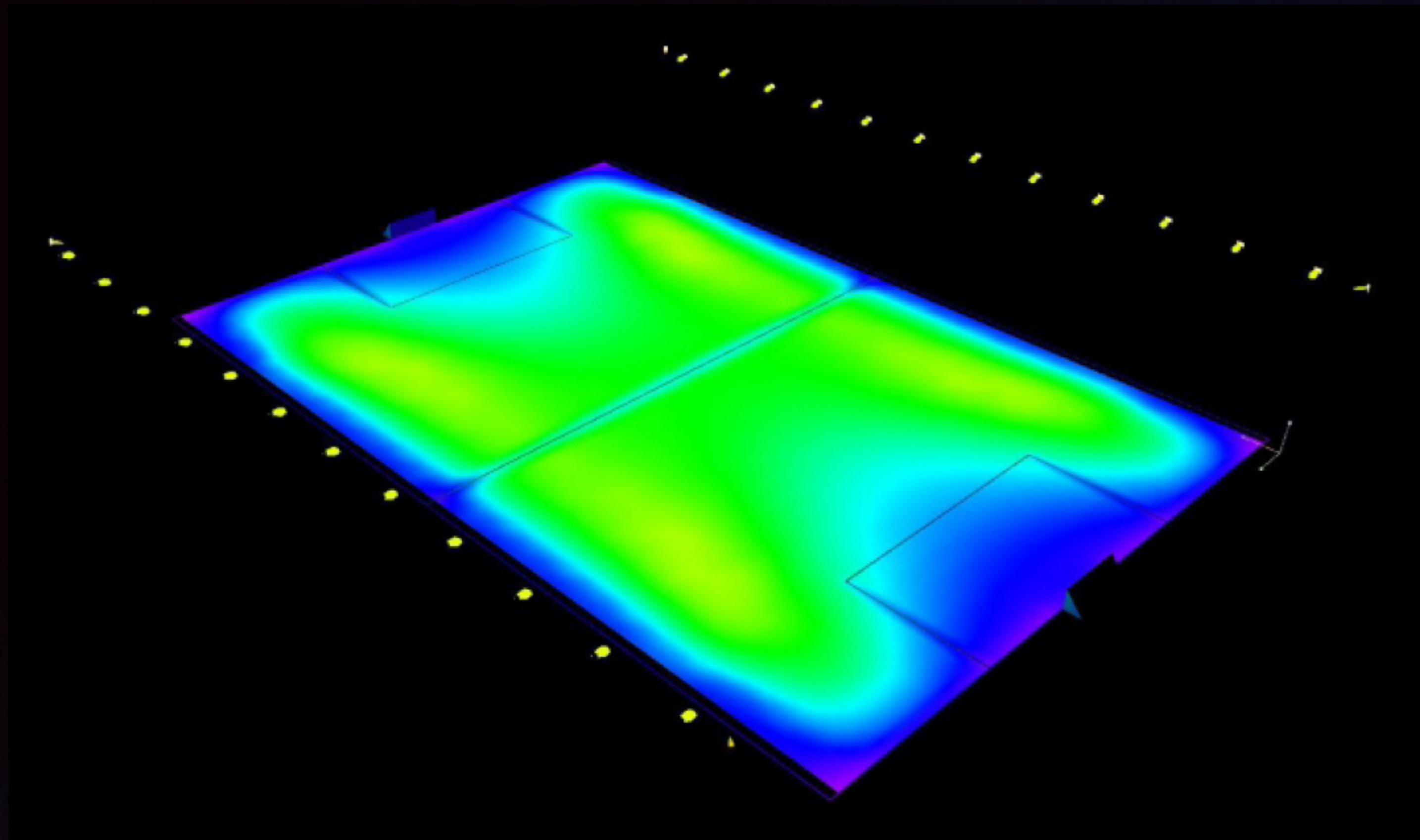
Widely Applicable to

Courtyards, aisles, factories,
squares, parks and similar places.



Tech. Support: Tell us the room length, width, height and the usage. We have engineer team to respond the DIALUX simulations for lights quantity calculation and effects.

.ies files are available upon request.



ULTRA

SPECIFICATIONS



PARAMETERS

Model	Item-109A	Item-109A	Item-109A	Item-109A	Item-109A	Item-109A	Item-109A	Item-109A
Lamp Power	10W	20W	30W	50W	100W	150W	200W	300W
LED Qty	20pcs led	40pcs led	60pcs led	100pcs led	200pcs led	300pcs led	400pcs led	600pcs led
Product size(mm)	176x154x31	176x154x31	203x175x31	241x221x39	320x314x39	340x329x43	379x370x43	420x446x43
Material	Die-cast Aluminium+PC Lens							
Shine Angle	60° 90°							
LED Color	3000-3500K; 4000-4500K; 5000-5500K; 6000-6500K							
Lamp Flux	90-110LM/1W; 120-130LM/1W; 130-140LM/1W;							
IP Grade	IP66							
CRI	Ra>70							
Life Time	50000H							
SPD	2.5KV-4KV-6KV-10KV							
Input Voltage	AC85-305V or AC165-277V							
Body Color	White or Black							
Certificate	BIS ,SASO ,CE-LVD-EMC,RoHs ,IES ,TUV, EAC, ISO9001, UL, CUL, SAA, Intertek TIR							

Item-109B

Model	Item-109B	Item-109B	Item-109B	Item-109B	Item-109B	Item-109B	Item-109B	Item-109B
Lamp Power	20W	30W	50W	100W	200W	300W	400W	600W

PACKING DETAILS

Lamp Power	Packing Size(CM)	PCS/CTN	CBM	20' GP/PCS	40' GP/PCS	40HQ/PCS
10W	54.5*43*22	30	0.052	16875	34331	39568
20W	54.5*43*22	30	0.052	16875	34331	39568
30W	43*41*24	20	0.042	13708	27888	32142
50W	53*50*28	20	0.074	7817	15903	18329
100W	53*35*36.5	10	0.068	4283	8714	10043
150W	58*37*38.5	10	0.083	3510	7141	8230
200W	58*41*42.5	10	0.101	2869	5838	6728
300W	49*25.5*47	4	0.059	1975	4019	4632

PACKAGING



ULTRA

INSTALLATION METHODS



Wall Mounted



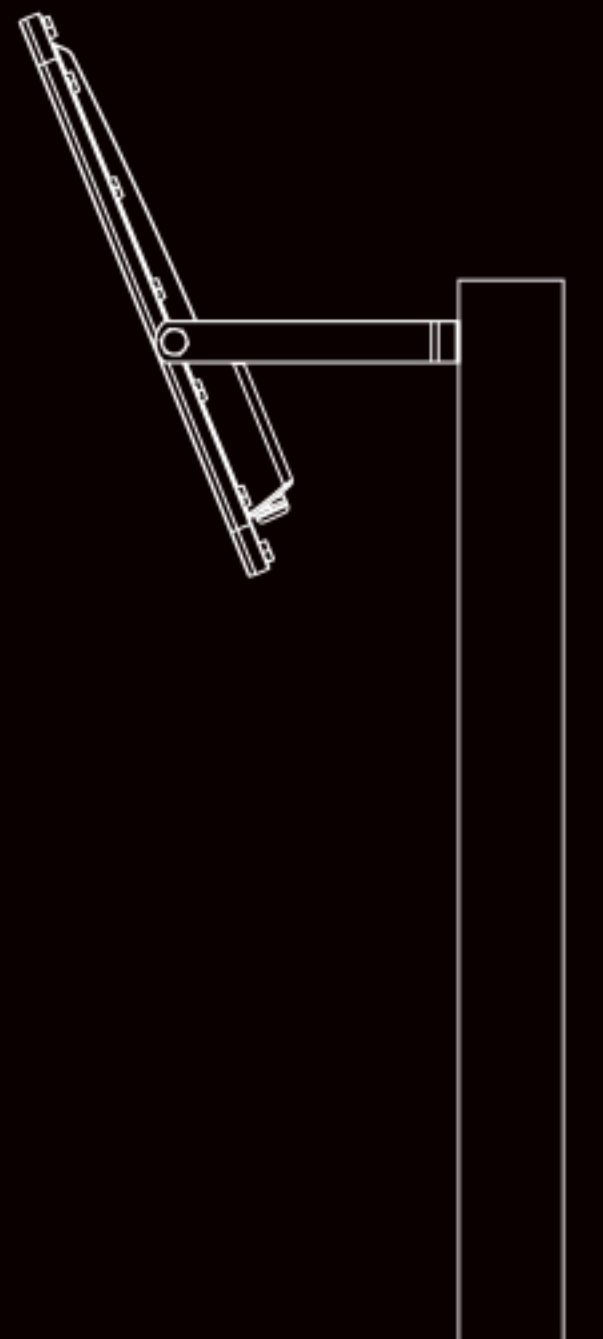
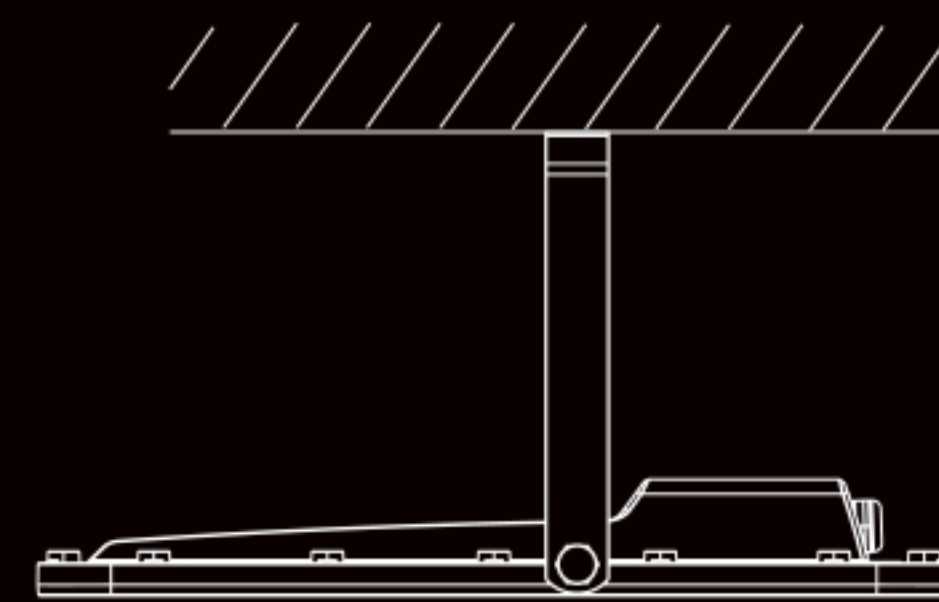
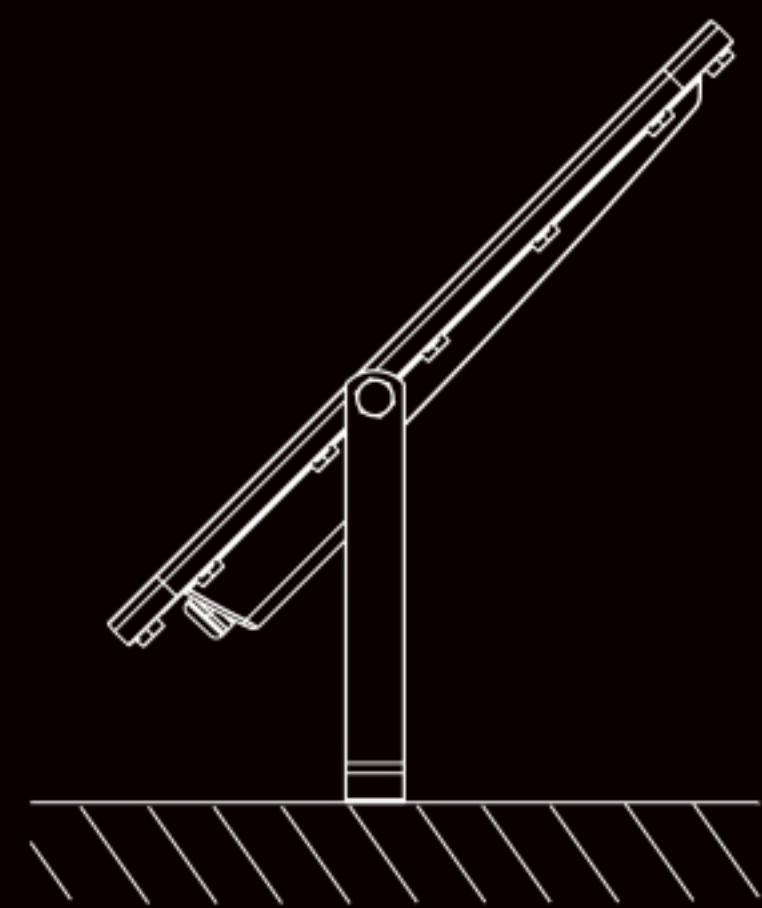
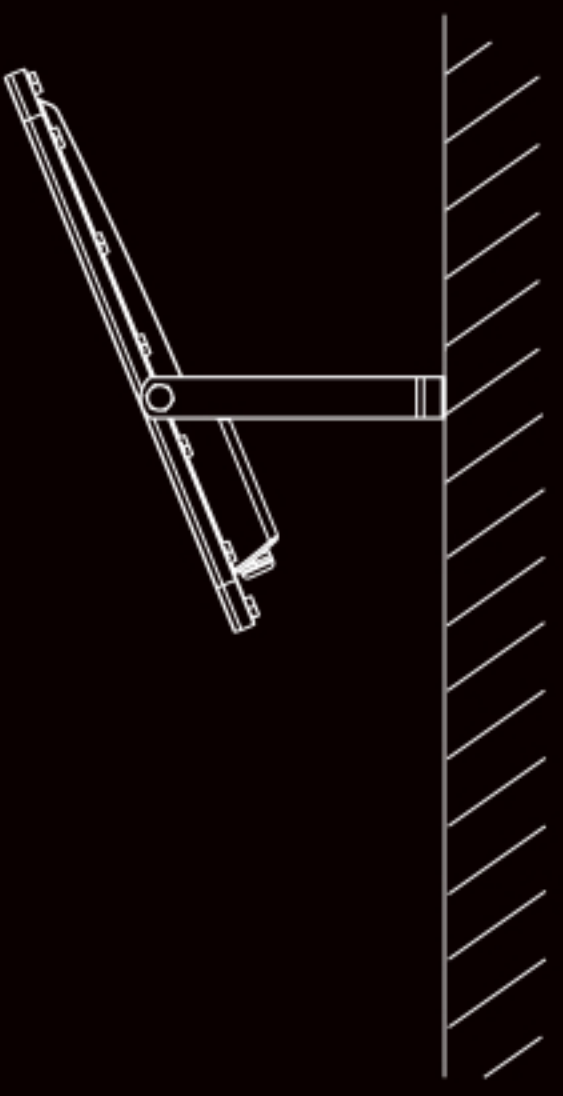
Floor Mounted



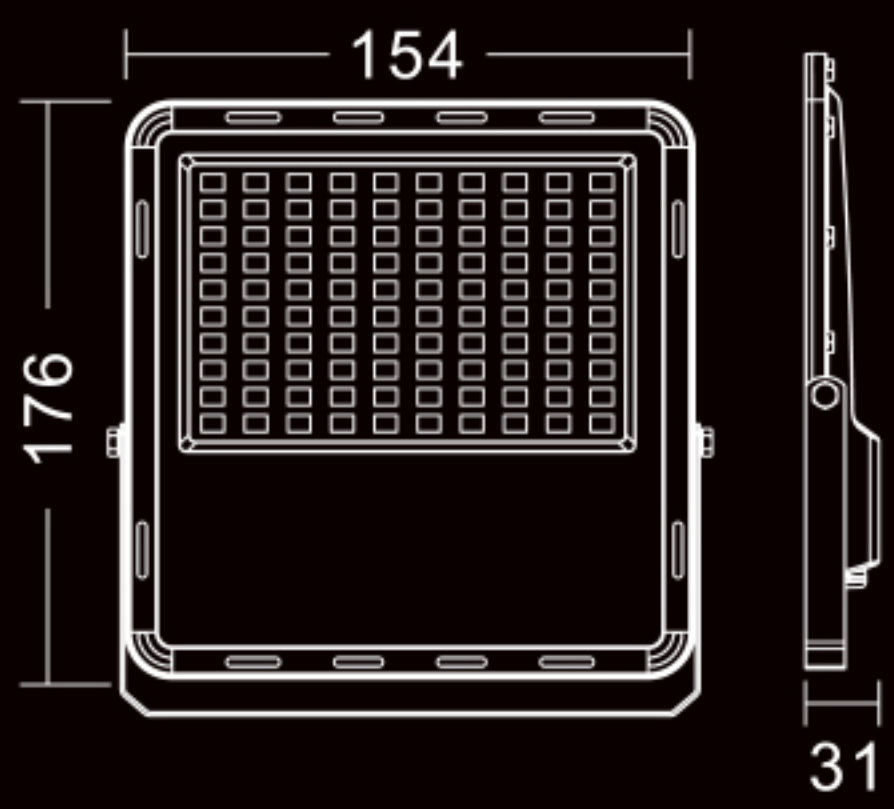
Ceiling Mounted



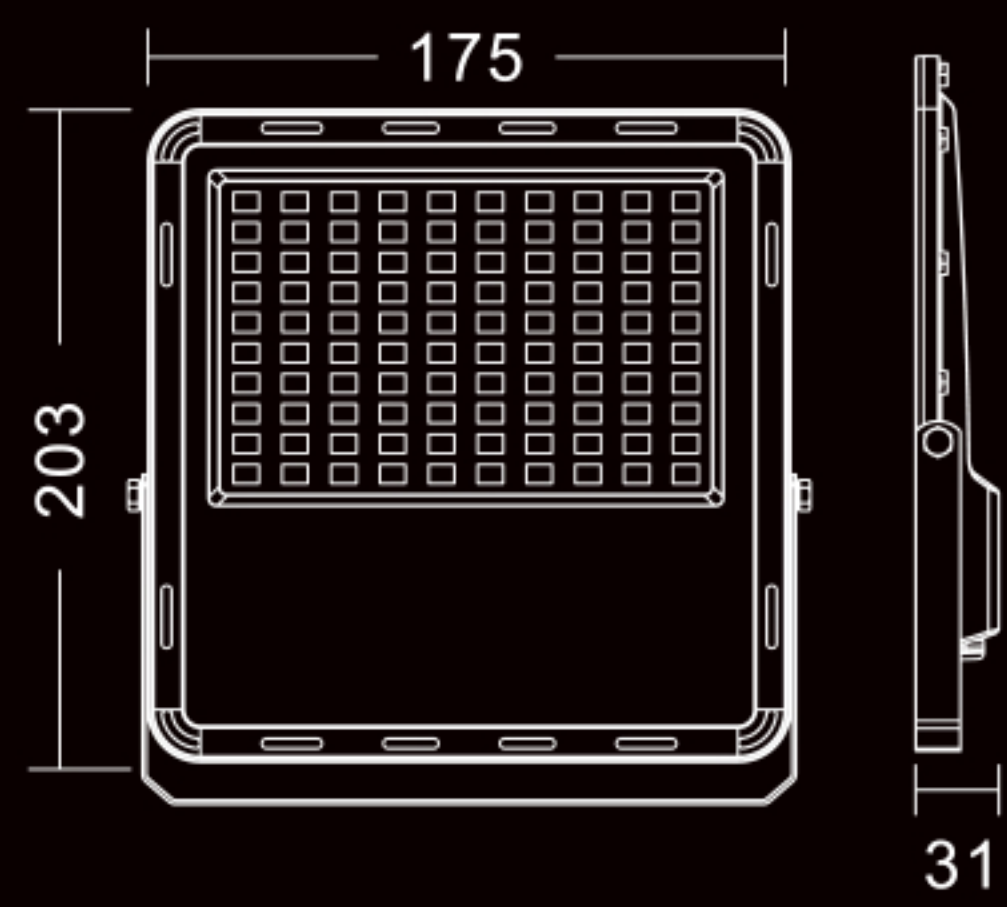
Pole Mounted



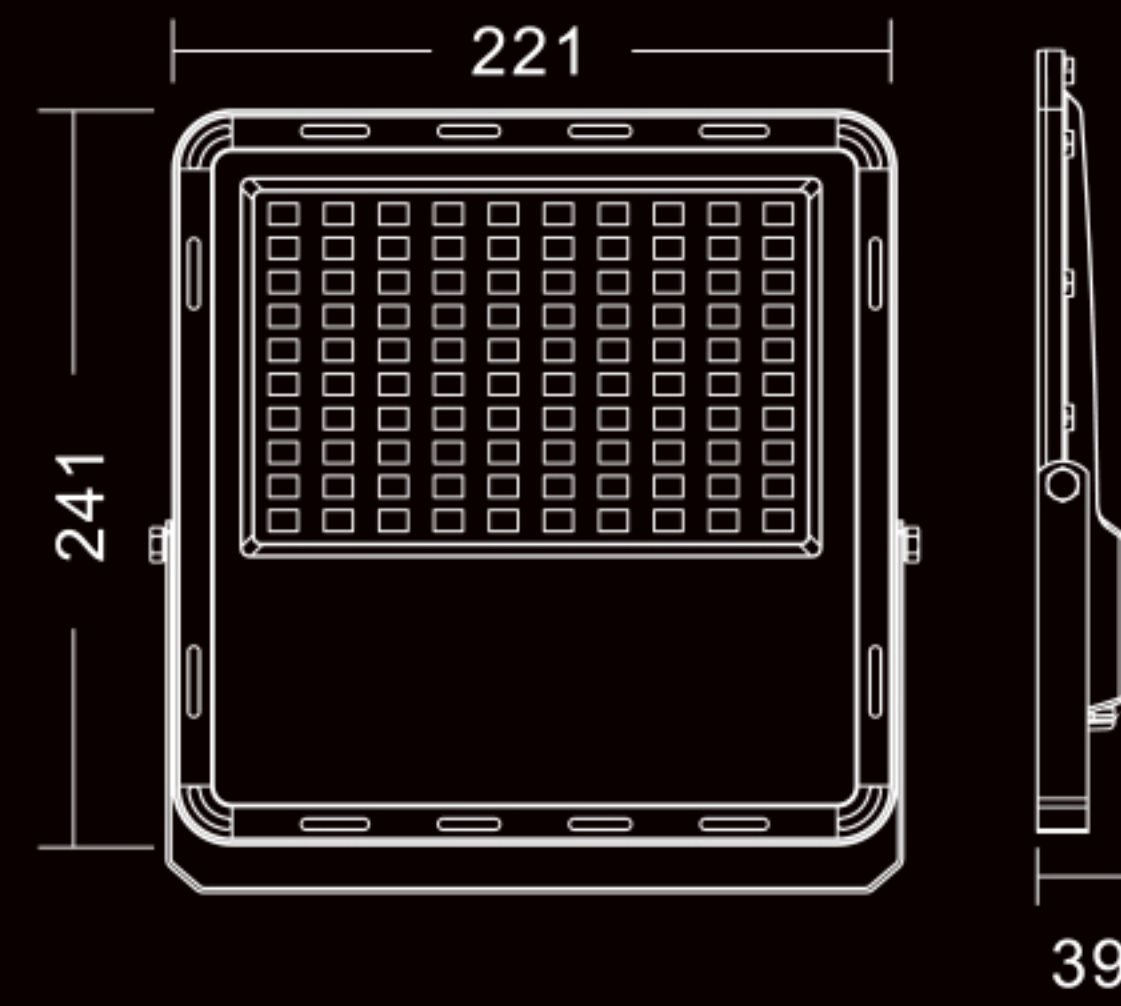
DIAGRAMS



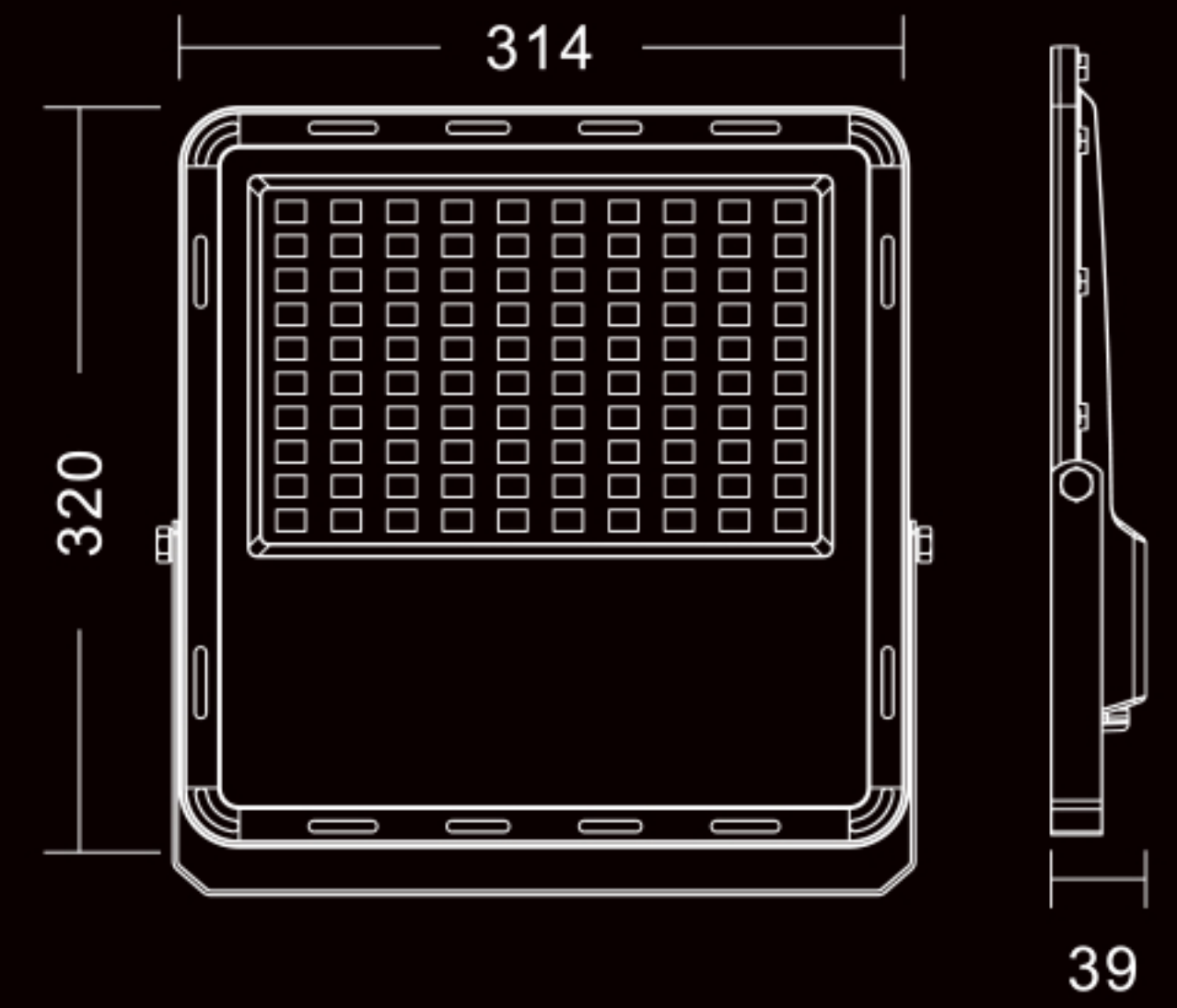
10W/20W



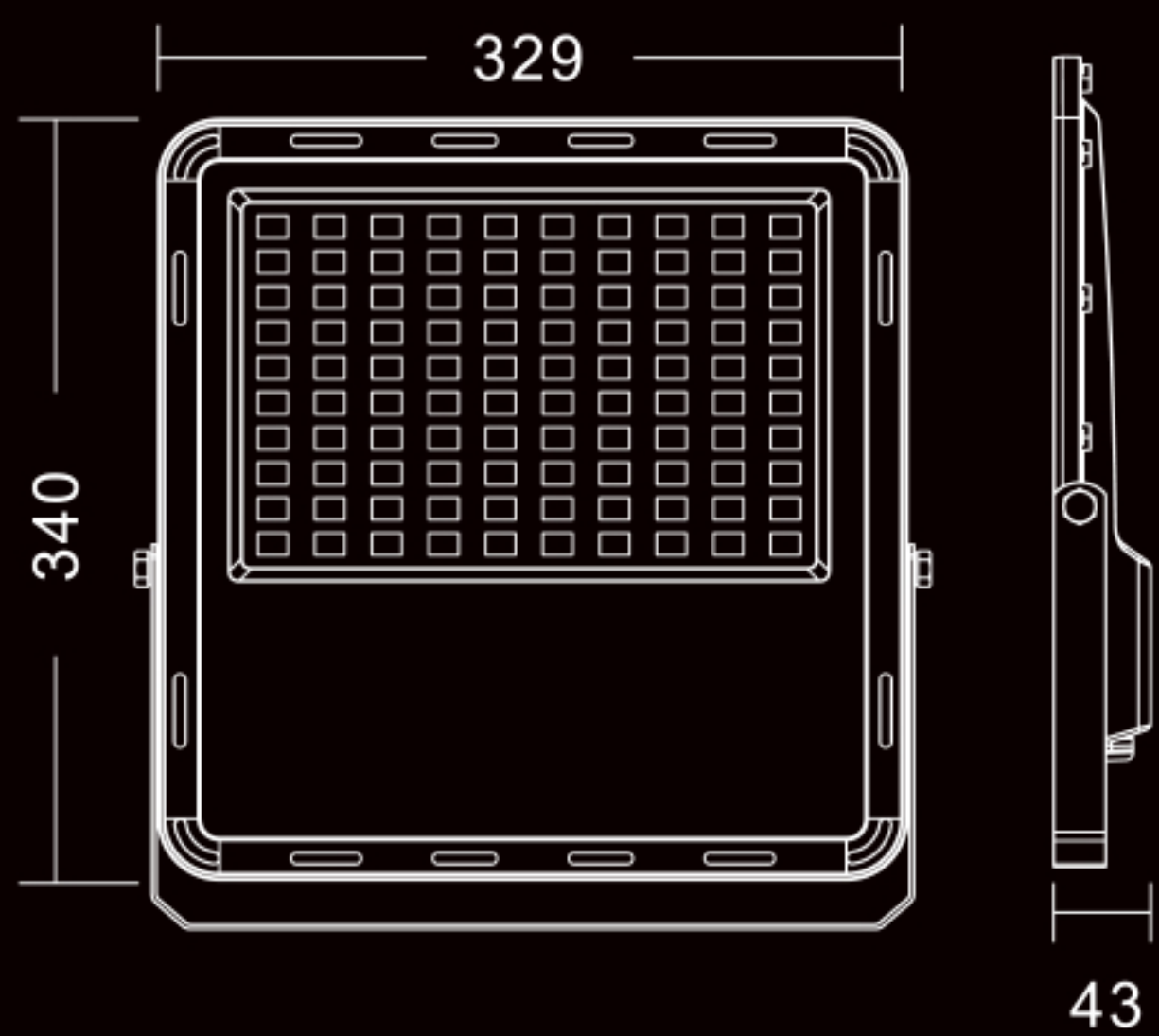
30W/50W



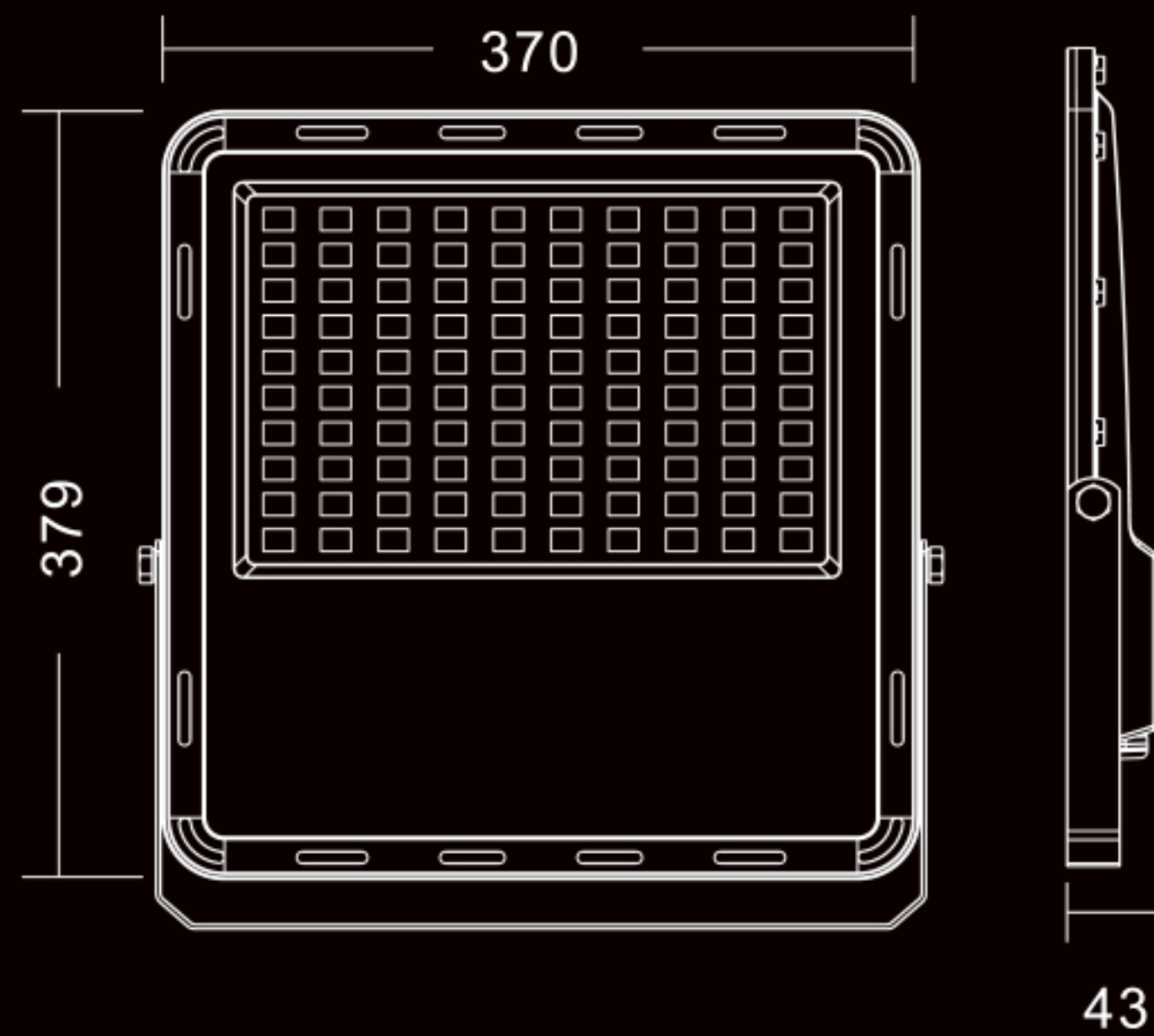
50W/100W



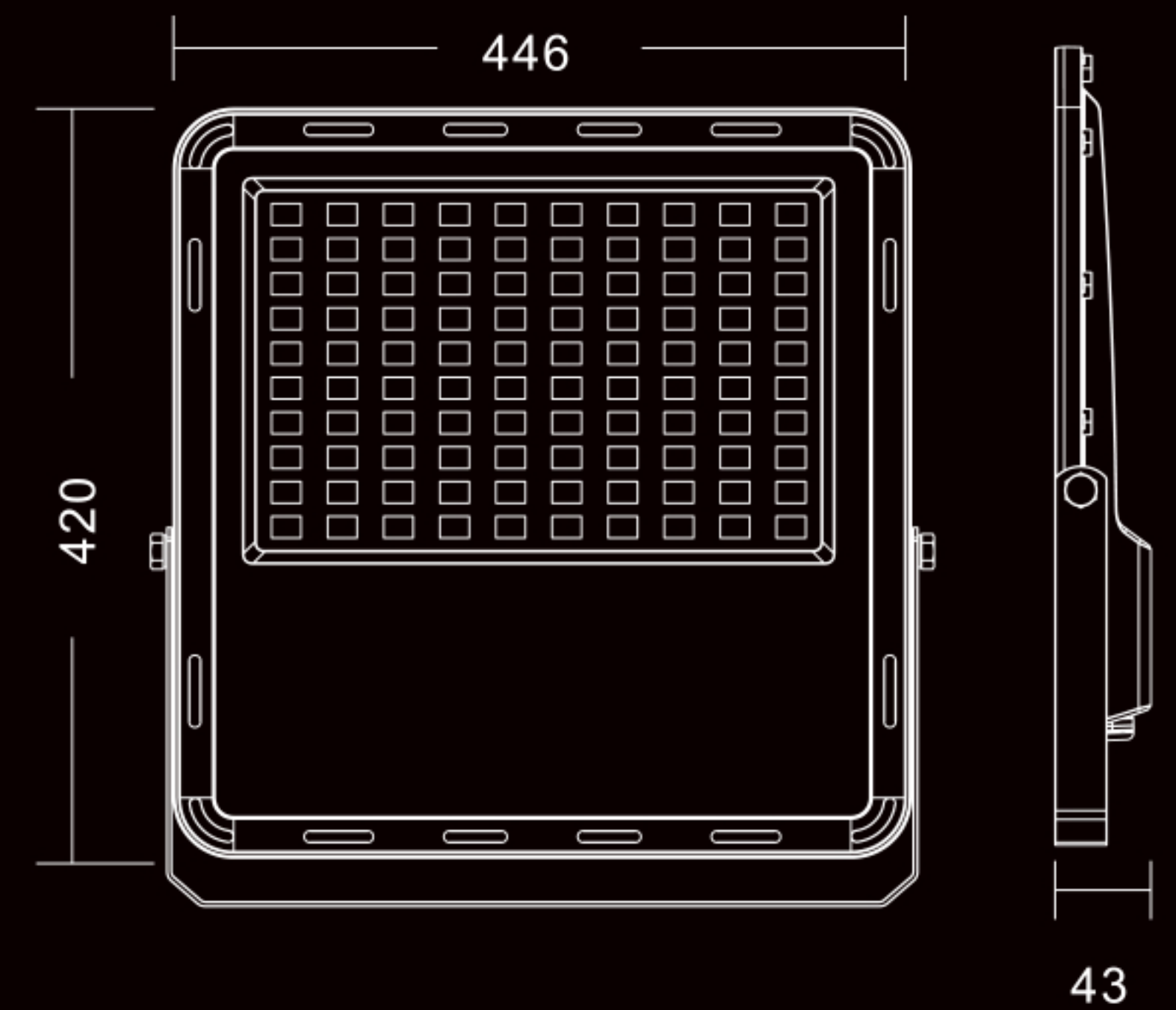
100W/200W



150W/300W



200W/400W



300W/600W



Features

1. AC85-305V or AC165-277V
2. Famous brand 2835/3030 1W SMD light source.
3. Die-casting aluminum body.
Anti-corrosion powder painting.
4. IP67 Waterproof for outdoor use.
5. 2 years or 3 years or 5 years warranty
6. Export certificates are available.

CAUTIONS:

1. Installation must be done by professional electricians.
2. Do NOT take apart the product. It may be dangerous.
3. Do NOT stare at the light with naked eyes. It is harmful to eyes.
4. For outdoor lighting, waterproof measurements must be done for the cable terminals.

WARRANTY:

1. All LED flood lights are warranted by the manufacturer to be free of defects in material and workmanship for 2 years(or as per sale contracts).
2. Warranty becomes void if the products is modified, improperly installed or used, damaged by accident or neglect, or if any parts are improperly installed or replaced by the user.
3. During the warranty time, if the products fails at normal environment and applications, we should decide by our own to repair or replace without any charge.

